

# APPLICATION NOTE

## YBD-RA SURFACE WIRING ADAPTOR

### Description

The YBD-RA Surface Wiring Adaptor allows the majority of Hochiki Sensors/Detectors and their Mounting Bases to be fitted flush against a fixing surface whilst also allowing surface wiring to be connected.

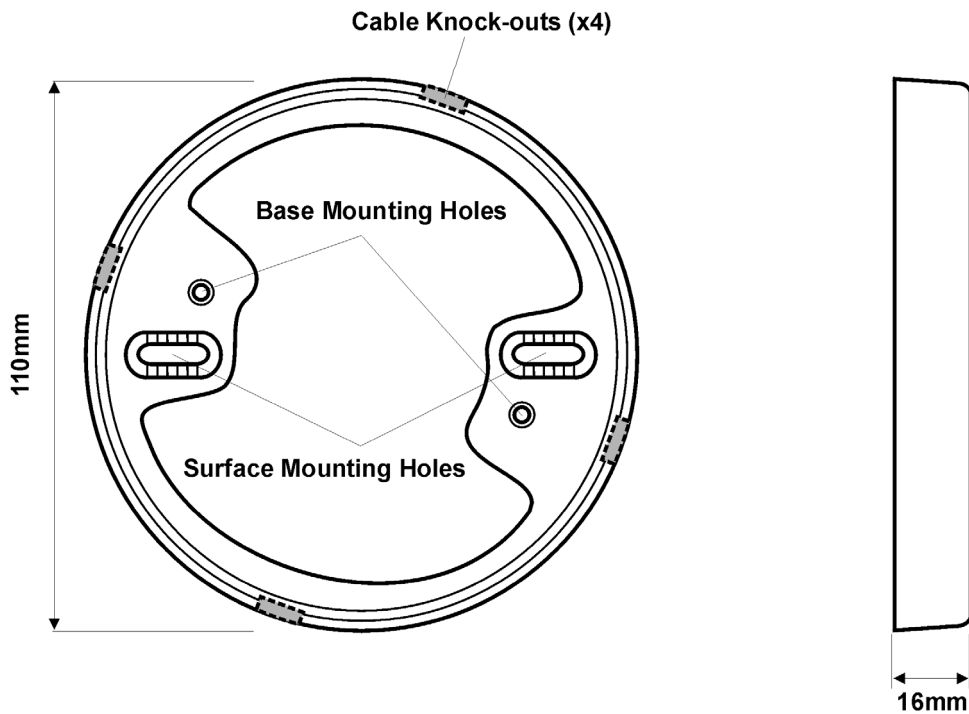


Fig. 1

### Compatible ESP (Analogue) Mounting Bases

YBN-R/3, YBO-R-SCI, YBO-R/NCS

### Compatible CDX (Conventional) Mounting Bases

YBN-R/6, YBN-R/6SK, YBO-R/6R, YBO-R/6RN, YBO-R/6RS, YBO-R/6PA

The adaptor features four 9mm x 8mm knock-outs for cables/wires (see Figs 1 & 2) allowing surface-fixed wiring to be connected to an appropriate mounting base (depending on application). The adaptor is moulded in ivory white ABS as standard, which allows seamless integration with the listed mounting bases and associated sensors and detectors.

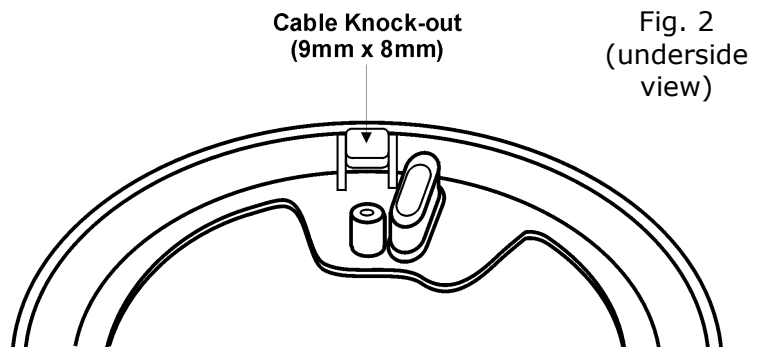


Fig. 2  
(underside view)

## Fixing

The YBD-RA features two surface mounting holes and two base mounting holes. Remove the required number of knock-outs and fix the YBD-RA to the surface using appropriate fixings (max diameter 4mm) through the surface mounting holes (see Fig. 1).

**Note: When knock-outs are removed, ensure there are no sharp edges which may damage cables/wires.**

Pass the wiring through the knock-outs and fix sensor/detector mounting base to the YBD-RA using the base mounting holes and two fixing screws. These should be M4 x 20mm (max) (not supplied). Wire the cable to the mounting base and then attach sensor/detector in the usual way.

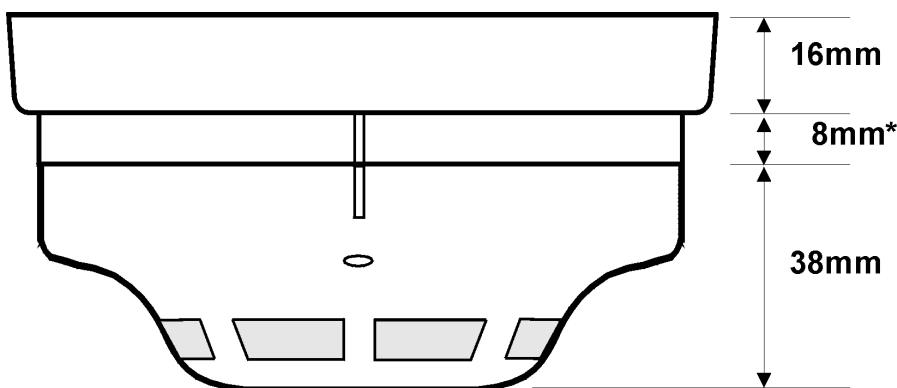


Fig. 3

*\*Shown with the YBN style of Base at 8mm, other bases such as the YBO style are deeper.*



**Hochiki Europe (UK) Ltd**  
**Grosvenor Road, Gillingham Business Park,**  
**Gillingham, Kent, ME8 0SA, England**  
**Telephone: +44(0)1634 260133 Facsimile: +44(0)1634 260132**  
**Email: sales@hochikieurope.com**  
**Web: www.hochikieurope.com**

Hochiki Europe (UK) Ltd. reserves the right to alter the specification of its products from time to time without notice. Although every effort has been made to ensure the accuracy of the information contained within this document it is not warranted or represented by Hochiki Europe (UK) Ltd. to be a complete and up-to-date description. Please check our web site for the latest version of this document.