

IFD-E(Exd)
Explosion-Proof Flame Detector
User Manual



General

Description

This Installation Guide gives information on the Flameproof (EExd) version of the flame detectors that have been approved by ISSeP (Institut Scientifique de Service Public; notified body number:492). The requirements of the European Community Directive 94/9/EC, the ATmosphere EXplosives ATEX Directive have been met. The approval has been assessed by reference to the following standards, EN50014:1997+A1 and A2:1999, EN 50018:2000 and pr AA EN 50018 plus a review against EN60079-1:2004 which showed that there were no changes which materially affected the “state of technological progress” with respect to the product. EN50281-1-1:1998.

The detector enclosures are certified  II 1 G EEx ia IIC T4 and can be used with all listed gases.

The range comprises dual infra-red (IR²), triple infra-red (IR³) and UV/IR² flame detectors. The detector housings are available in copper free aluminium alloy (LM25) and stainless steel (316).

The guide also provides information on Flameproof (type'd') enclosures, the application, maintenance, installation and adjustments of the detectors. Reference to other individual detector publications can be made for more information on none Flameproof issues. These publications are available on request.

NOTE: Information in this guide is given in good faith, but the manufacturer cannot be held responsible for any omissions or errors. The company reserves the right to change the specifications of products at any time and without prior notice.

Introduction to Flameproof Enclosures

There are many places where an explosive mixture of air and gas or vapour is or may be present, intermittently or as a result of an accident. These are defined as hazardous areas by EN 60079-0 (formally EN 50014), Electrical apparatus for explosive gas atmospheres – General requirements.

Hazardous areas are common in petroleum and chemical engineering plants and in factories processing and storing gases, solvents, paints and other volatile substances.

Electrical equipment for use in these areas needs to be designed so that it cannot ignite an explosive mixture, not only in normal operation but also in fault conditions. There are a number of methods available to achieve this – oil immersion, pressurised apparatus and powder filling, for example, but the two most common used are intrinsic safety and flameproof enclosures.

Flameproof equipment is contained in a box so strong that an internal explosion will neither damage the box nor be transmitted outside the box. The surface must remain cool enough not to ignite the explosive mixture.

When flameproof equipment is interconnected, flameproof wiring must be used. This method is most valuable when high power levels are unavoidable but it is not acceptable for areas in which an explosive gas/air mixture may be continuously present or present for long periods.

For this reason these flame detectors are made intrinsically safe rather than flameproof. Intrinsically safe equipment operates at such low power and with such small amounts of stored energy that it is incapable of causing ignition:

- ▶ In normal conditions
- ▶ With a single fault (for **ib** type of protection code)
- ▶ With any combination of two faults (for **ia** type of protection code)

In any of these conditions every component must remain cool enough not to ignite gases for which it is approved. See Table 4

Classification of Hazardous Areas

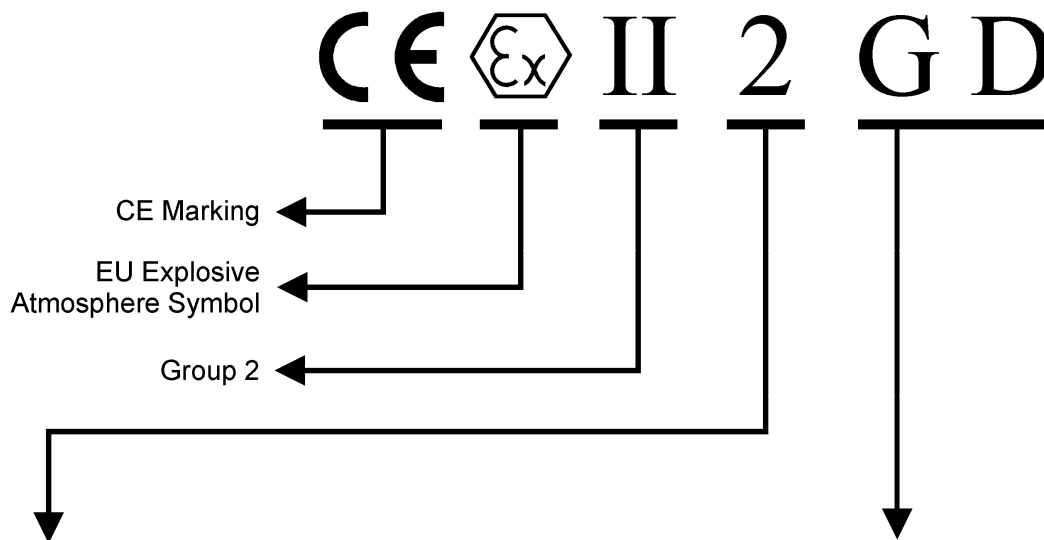
EN 60079-0 (formally EN50014) states that electrical apparatus for potentially explosive atmospheres is divided into:

- ▶ Group I: Electrical apparatus for mines susceptible to fire damp;
- ▶ Group II: Electrical apparatus for places with a potentially explosive atmosphere, other than mines susceptible to fire damp.

These flame detectors are designed to meet the requirements of Group II apparatus. For the type of protection “**d**” Flameproof, Group II is subdivided into Equipment Categories, Type of Explosive Atmosphere (Table 1), Type of Protection Code (Table 2), Temperature Class (Table 3) and Gas Group (Table 4).

Equipment Markings

ATEX (EU Directive 94/9/EC)

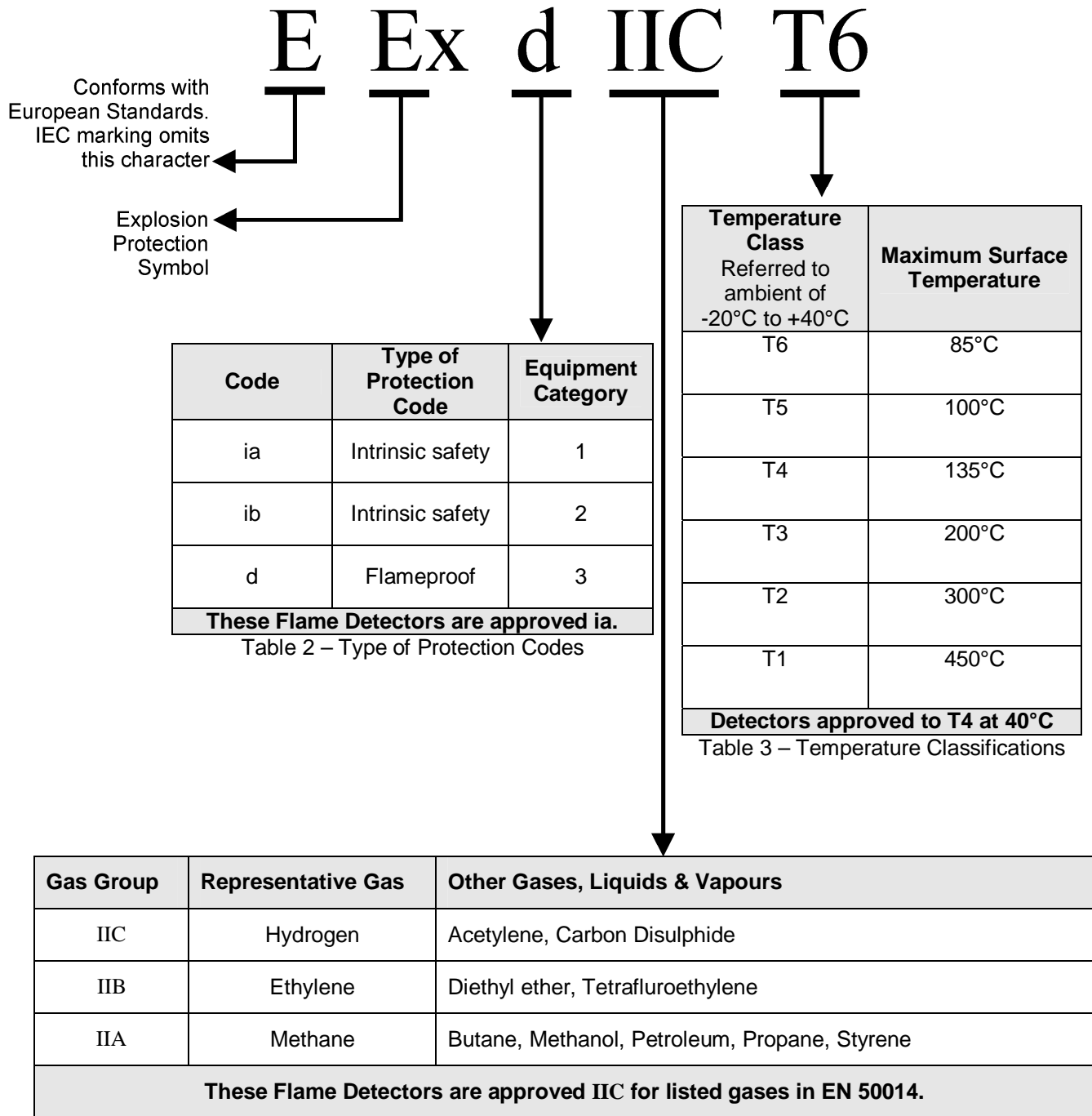


Equipment Category	Definition	Type of Explosive Atmosphere Group II
		G - gas vapour mist D - dust
		Zone
1	- very high level of protection in which explosive atmosphere mixtures of air gases, vapours or mist are present continuously, for long periods	0
2	- high level of protection in which explosive atmosphere mixture of air and gases, vapours or mist are likely to occur	1
3	- normal level of protection in which explosive atmosphere mixtures of air and gases, vapours or mist are unlikely to occur and if it occurs it will exist only for a short period	2

These Flame Detectors are suitable for equipment categories 2 and 3, G or D.
Note: The detectors are not certified for category 1 areas, see 'IS' products.

Table 1 Equipment Categories and Type of Explosive Atmosphere (Group II)

CENELEC / IEC



Flameproof Safe Products

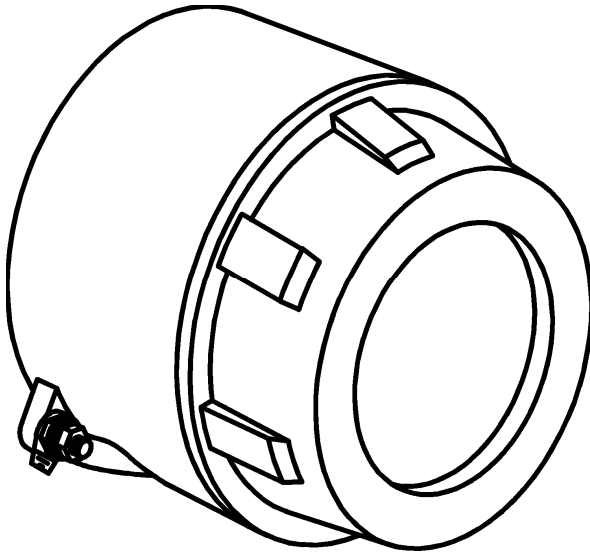


Fig. 1

Flameproof Flame Detector
(Alloy Housing)

The flame detectors respond to light emitted from flames during combustion.

The detectors discriminate between flames and other light sources by responding only to low frequency flickering produced by flames (typically 1 to 15Hz). The detectors ignore fixed light sources and rapidly flickering illumination predominantly produced by lighting.


The flame flicker techniques have the advantage of still allowing the detection of flames through a thin layer of oil, water vapour, ice or dust. This makes these detectors particularly useful in industrial applications.

Full details of the principles of operation, electrical description, and other detailed technical data are published in the products individual data sheet.

Technical Data

Mechanical	
Housing Material: See Fig 1	Copper Free Aluminium Alloy LM25
Housing Colour:	Red
Housing Dimension: (Excluding Mount)	Height = 150mm Width = 146mm Depth = 137mm
Weight	2.5kg
Cable Gland Entries:	3 X 20mm

Electrical	
Supply In: Voltage Current Polarity sensitive	Terminals 1(+) & 2(-) 14 to 30Vdc 2 to 28mA See datasheet for detail
Optional Input: Voltage Current Polarity sensitive	Terminals 3(+) & 4(-) 14 to 30Vdc 40µA typ. @ 24V IN
Power Up Time:	2 Seconds
Relays Contact Ratings: Voltage Current Power	Terminals 5 to 8 50Vdc max 1A max 30W max

Environmental	
Operating Ambient Temperature:	-10°C to +40°C(T4) -10°C to +55°C(Sensor limit)
ATEX Approval Category	 II 2 G D
CENELEC / IEC Marking	EEx d IIC T6 (85°C) - Zone 1, 21, 2 and 22
Apparatus Certificate Number	ISSeP 03ATEX012
IP Rating	IP66

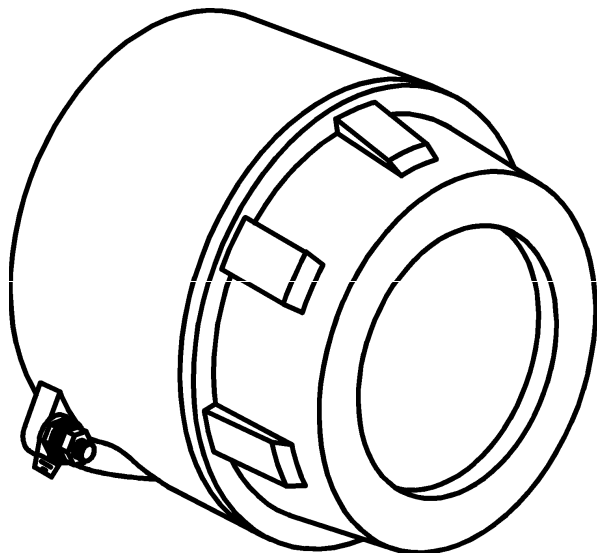


Fig. 2

Flameproof Flame Detector (Stainless Steel Housing)


The flame detectors respond to light emitted from flames during combustion.

The detectors discriminate between flames and other light sources by responding only to low frequency flickering produced by flames (typically 1 to 15Hz). The detectors ignore fixed light sources and rapidly flickering illumination predominantly produced by lighting.

The flame flicker techniques have the advantage of still allowing the detection of flames through a thin layer of oil, water vapour, ice or dust. This makes these detectors particularly useful in industrial applications.

Full details of the principles of operation, electrical description, and other detailed technical data are published in the products individual data sheet.

Technical Data

Mechanical	
Housing Material: See Fig 1	316 Stainless Steel
Housing Colour:	Natural
Housing Dimension: (Excluding Mount)	Height = 150mm Width = 146mm Depth = 137mm
Cable Gland Entries:	3 X 20mm - typical
Electrical	
Supply In: Voltage Current Polarity sensitive	Terminals 1(+) & 2(-) 14 to 30Vdc 2 to 28mA See datasheet for detail
Optional Input: Voltage Current Polarity sensitive	Terminals 3(+) & 4(-) 14 to 30Vdc 40µA typ. @ 24V IN
Power Up Time	2 seconds
Relays Contact Ratings: Voltage Current Power	Terminals 5 to 8 30Vdc. Max. 1 Amp. Max. 30W Max.
Environmental	
Operating Ambient Temperature:	-10°C to +40°C(T4) -10°C to +55°C(Sensor limit)
ATEX Approval Category	 II 2 G D
CENELEC / IEC Marking	EEx d IIC T6 - Zone 1, 21, 2 & 22
Apparatus Certificate Number	ISSeP 03ATEX012
IP Rating	IP66

System Design

Engineers familiar with codes of practice for hazardous area systems should only undertake the design of an flameproof fire detection system. In Europe the standard is EN 60079-0 (formally EN 50014), Electrical apparatus for potentially explosive atmospheres – General requirements.

The fire detector performance is the same as the standard none flameproof counterparts. Performance information given in standard product guides is therefore applicable to the flameproof range.

The ISSeP certification of the flameproof device enclosure covers their characteristics as components of a flameproof system. This indicates that the flame detectors can be used with a margin of safety in such systems.

Service & Repairs

Frequent inspection should be made. A schedule for the maintenance check should be determined by the environment and frequency of use but should be regular enough to ensure the detector continues to operate in the designed manner. It is recommended that it should be at least once a year.

1. External surfaces of the enclosure should be periodically cleaned to ensure dust deposits are not allowed to accumulate.
2. Check flamepath/threads on enclosure body and lid for signs of corrosion. If badly pitted, replace component.
3. All components that are replaced must be in accordance with the manufactures specification. Failure to use such components may invalidate the certification/approval on the enclosure and may make the enclosure dangerous.
4. After inspection and maintenance have been carried out, items 3 & 4 of the installation instructions should be adhered to when resealing the enclosure.
5. Servicing of the fire protection system should be carried out as recommended by the local regulation in force.

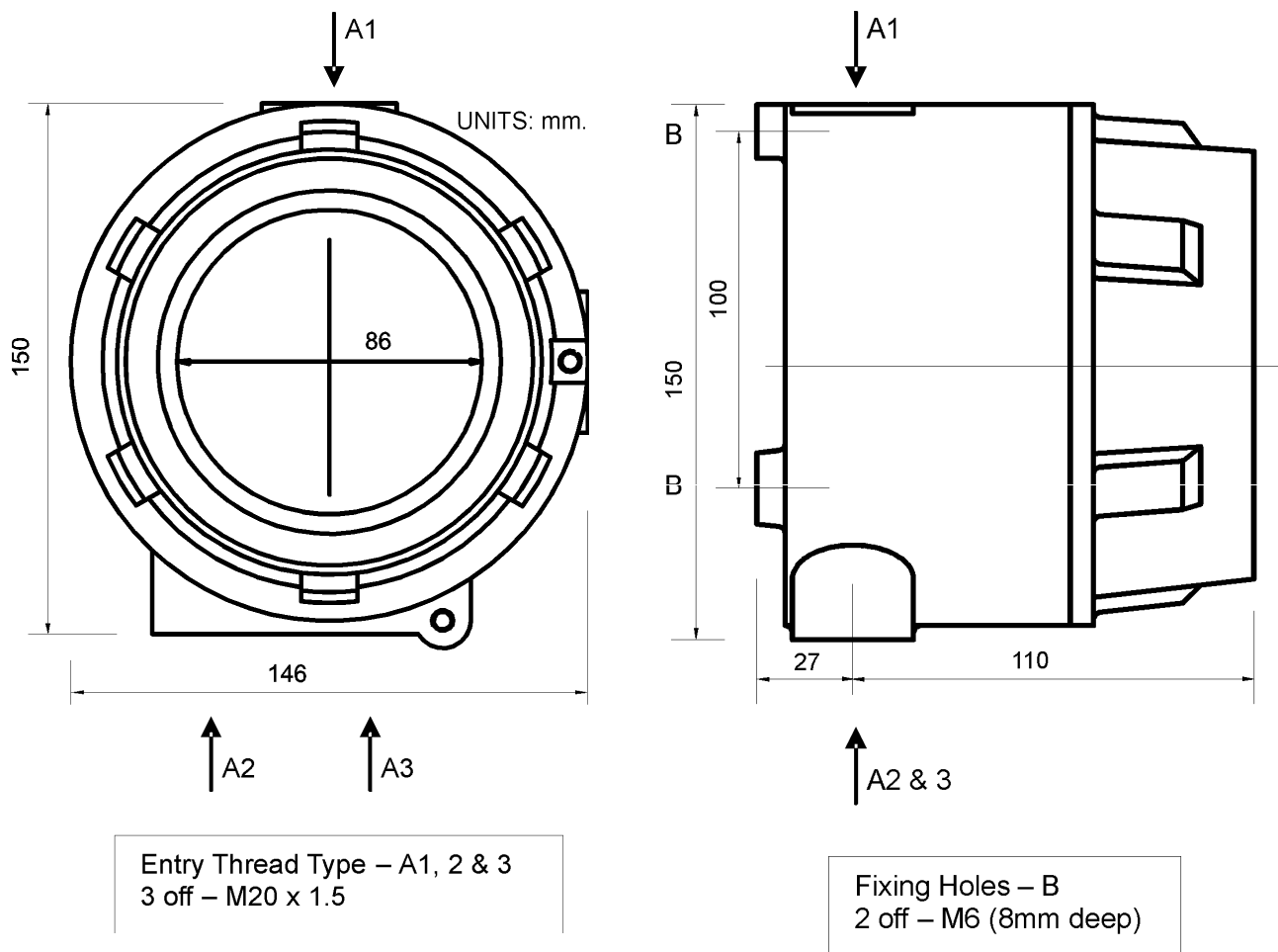
Selection of Cable Glands

Application of barrier glands certified and approved to meet EN 60079-14 for Thermo Plastic, Thermosetting and Elastomeric Cables.

	Hazardous Area Type	Gland Method
1)	Zone 1, 2 21 & 22 Hazardous areas requiring IIC apparatus	EExd Barrier Glands mandatory
2)	Zone 2 & 22 Hazardous areas requiring IIA & IIB apparatus.	Any EExd Gland permitted

Table 5 Examples of barrier glands

Enclosure Details



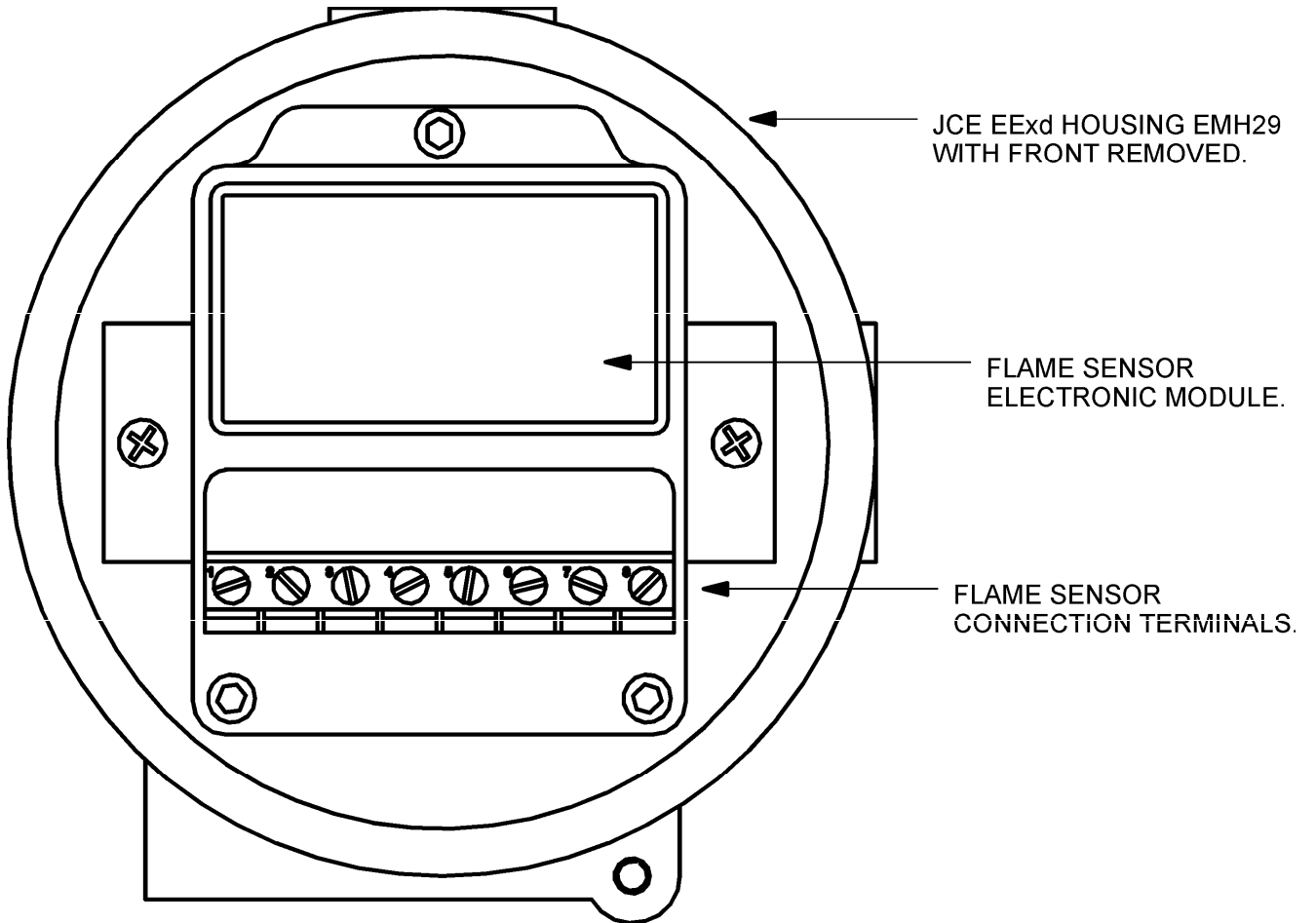
Health and Safety at Work Act

In the UK all equipment must be installed and disposed of (as required) within the legislative requirements of the Health & Safety at Work Act 1974.

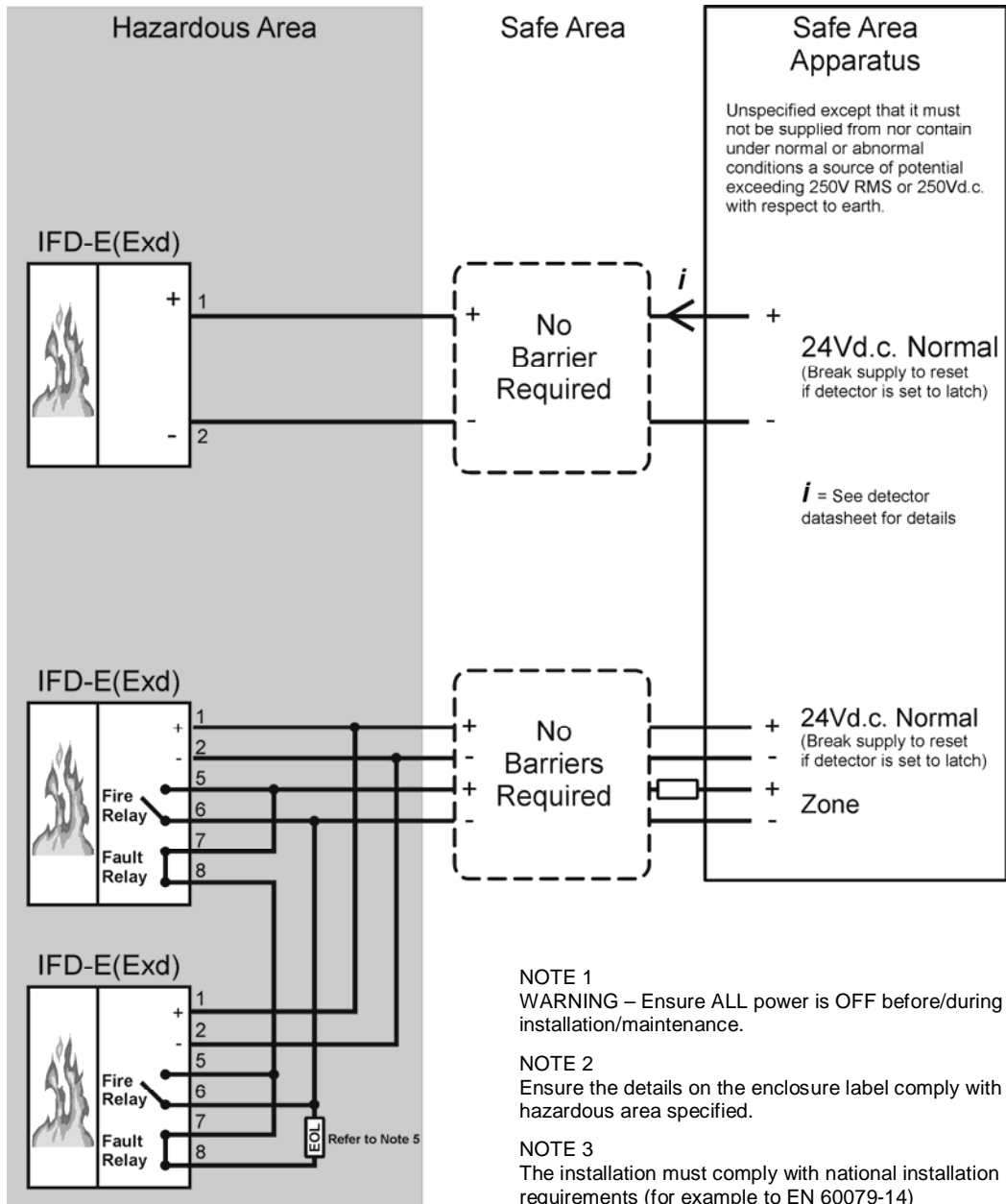
Installation

No modification should be made to the enclosure without reference to the manufacturer as unauthorised modification to an approved enclosure will invalidate the certificate/approval

1. The enclosures are supplied with drilled and tapped entries. See enclosure drawing
2. The surface of the machined/threaded flame paths between cover and body must be protected from scratches or damage during installation. Any such damage can destroy the validity of the enclosure.
3. Before the cover is refitted, the flame path/threaded joint between cover and body must be thoroughly wiped clean of dirt, grit or other foreign substances, and then a thin coating of an approved form of non-setting grease applied to joint/threads. Ensure the gasket o-ring is free from damage.
4. Threaded covers must be screwed on to a minimum of 5 full threads of engagement and then locked in position with the locking screw provided.
5. All tapped entries must be fitted with an approved flameproof (EExd) device which is equivalent or superior to the gas group of the enclosure.
6. The enclosure should be mounted using the two rear M6 tapped holes.
7. Do not scratch the glass.
8. Glanding of cables should be as in Selection of Cable Gland section

Enclosure with Front Cover Removed

EExd System Drawing



NOTE 1
WARNING – Ensure ALL power is OFF before/during installation/maintenance.

NOTE 2
Ensure the details on the enclosure label comply with the hazardous area specified.

NOTE 3
The installation must comply with national installation requirements (for example to EN 60079-14)

NOTE 4
If required a loading resistor or end of line device (EOL) can be connected between the detector terminals of any circuit. The total power dissipation and temperature classes within the enclosure must not be exceeded, 30W – T6.

NOTE 5
If required a loading resistor of not less than 3k 0.5 watt and having a surface area between 20cm² and 10cm² may be connected between the terminals of any circuit, but not between circuits.



Hochiki Europe (UK) Ltd
Grosvenor Road, Gillingham Business Park,
Gillingham, Kent, ME8 0SA, England
Telephone: +44(0)1634 260133 Facsimile: +44(0)1634 260132
Email: sales@hochikieurope.com
Web: www.hochikieurope.com

Hochiki Europe (UK) Ltd. reserves the right to alter the specification of its products from time to time without notice. Although every effort has been made to ensure the accuracy of the information contained within this document it is not warranted or represented by Hochiki Europe (UK) Ltd. to be a complete and up-to-date description. Please check our web site for the latest version of this document.