

HOCHIKI ADDRESSABLE POWERED OUTPUT MODULE INSTALLATION INSTRUCTIONS



Product Covered: CHQ-POM

Introduction

The CHQ-POM Powered Output Module has been designed to allow ancillary equipment to be powered from the loop. The unit provides a nominal 24Vd.c.output with a selectable current level from 2mA to 32mA in 2mA increments. This output current is selectable via the control panel (please check panel manufacturer for compatibility). The unit also features two monitored inputs. Examples of use include (a) powering a conventional sounder for use on the ESP loop, (b) powering a relay, (c) powering a conventional flame detector such as the IFD-E.

Fixing & Wiring

The CHQ-POM features colour-coded flying leads, which must be wired as per the product label and as shown below in Fig 1. The unit also features a wiring terminal block for loop connection:

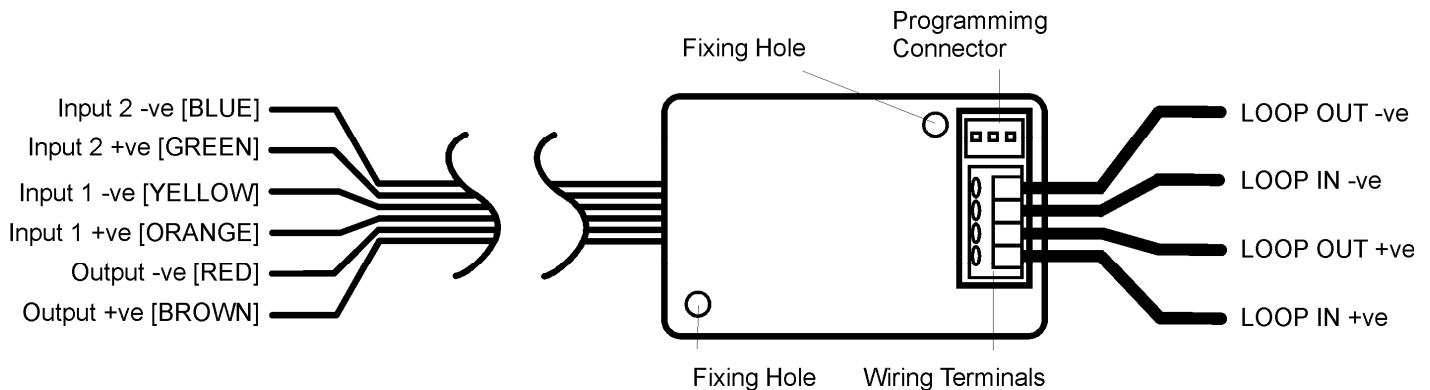


Fig 1 CHQ-POM Wiring

The unit can be fixed to most fixing surfaces with two screws (not supplied) by utilising the two fixing holes (see Fig 1).

End Of Line Devices

The following End Of Line (EOL) devices are supplied with the CHQ-POM and, if the device inputs are being utilised, should be fitted as follows:

Fit 10KΩ resistors to both inputs at the furthest end of the cable from the device.

Fit 470Ω input activation resistors to both input cables.

Programming

The CHQ-POM is addressable and features a programming connector to facilitate this. Connect a Hochiki TCH-B100 Hand Held Programmer to the CHQ-POM using a PL-3 Programming Lead. Refer to the TCH-B100 Instructions for further details on programming addresses. The programmed address can be written on the device label.

Please note that if the PCB is removed from the protective outer casing the EN54 approval is voided.

	CHQ-POM	0832-CPD-1115	09	EN54-18:2005
--	---------	---------------	----	--------------



Hochiki Europe (UK) Ltd
Grosvenor Road, Gillingham Business Park,
Gillingham, Kent, ME8 0SA, England Telephone:
+44(0)1634 260133 Facsimile: +44(0)1634 260132
Email: sales@hochikieurope.com
Web: www.hochikieurope.com

Hochiki Europe (UK) Ltd. reserves the right to alter the specification of its products from time to time without notice. Although every effort has been made to ensure the accuracy of the information contained within this document it is not warranted or represented by Hochiki Europe (UK) Ltd. to be a complete and up-to-date description. Please check our web site for the latest version of this document.