

## LOOP EMULATOR



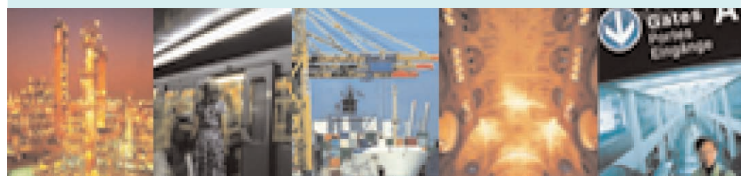
The TE-TLE is a 'virtual' loop device. Once the Fire Alarm Control Panel is connected to the computer via the Interface, a 'virtual' loop can be created within the True Loop Emulator software.

Devices can be selected and 'placed' on addresses on the loop. These devices can then be activated with a number of different actions such as 'fire' or 'short-circuit' conditions, to test the panel's reactions and programming. In this way, a complete fire detection system can be tested and proven before any actual hardwiring commences, saving time and resources.

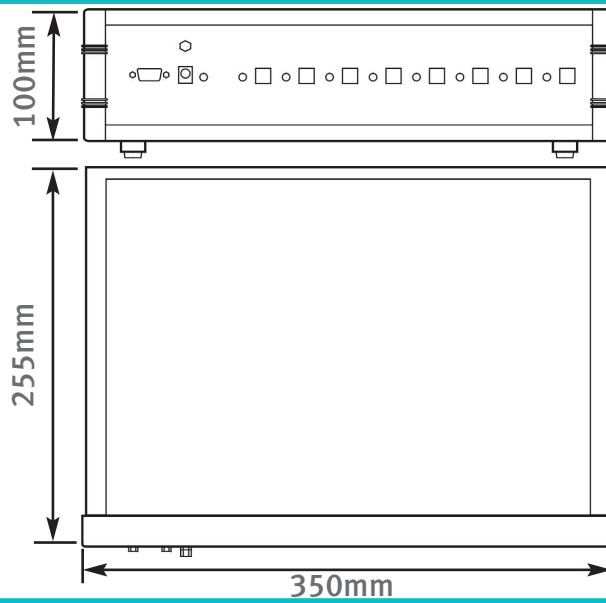
Each Interface can handle up to four loops of devices and the software can handle one or two Interfaces. Thus, up to eight loops of devices can be emulated simultaneously.



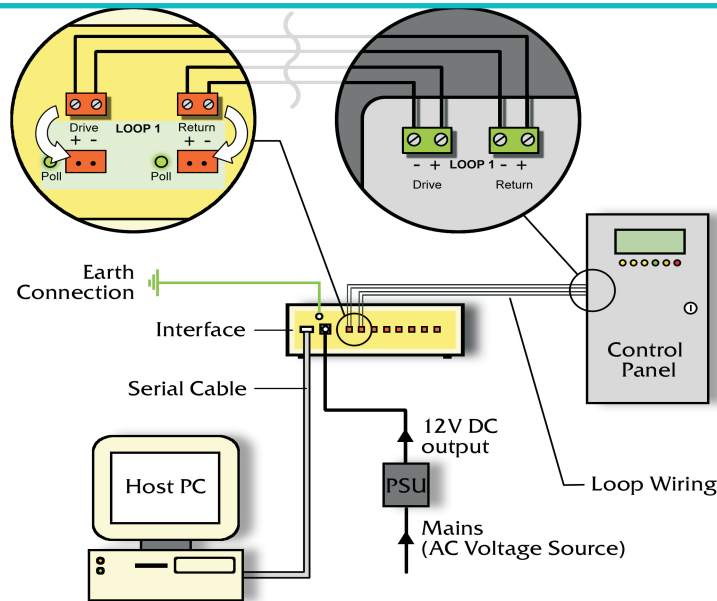
- ▶ Allows simulation of up to 4 loops of Hochiki analogue devices
- ▶ System 'Cause and Effect' can be verified along with double address and short circuit simulation
- ▶ Saves time and installation costs as whole system can be tested 'virtually'



## DIMENSIONS



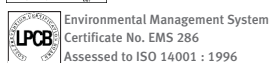
## CONNECTIONS



## SPECIFICATION

Ordering Code	TE-TLE	
Interface:	Power supply	Input voltage range 240Vac Output voltage 12Vdc
Software:	Operating System Capability	Windows 95, 98, NT & 2000 Supports 8 loops (via 2 interfaces)
Connection between PC & Interface	Serial RS232	
Weight (Kg)	2.41	

**HOCHIKI EUROPE (UK) LIMITED**  
 Grosvenor Road, Gillingham Business Park,  
 Gillingham, Kent, England ME8 0SA  
 Telephone: +44 (0)1634 260133  
 Facsimile: +44 (0)1634 260132  
 e-mail (UK): sales@hochikieurope.com  
 e-mail (Non UK): export@hochikieurope.com  
 www.hochikieurope.com



Hochiki Europe (UK) Ltd. reserves the right to alter the specification of its products from time to time without notice. Although every effort has been made to ensure the accuracy of the information contained in this document it is not warranted or represented by Hochiki Europe (UK) Ltd. to be a complete and up-to-date description.

PART No. 9-5-0-261/ISS1/OCT04