

CHQ “SMART-FIX” MODULES - OUTPUTS



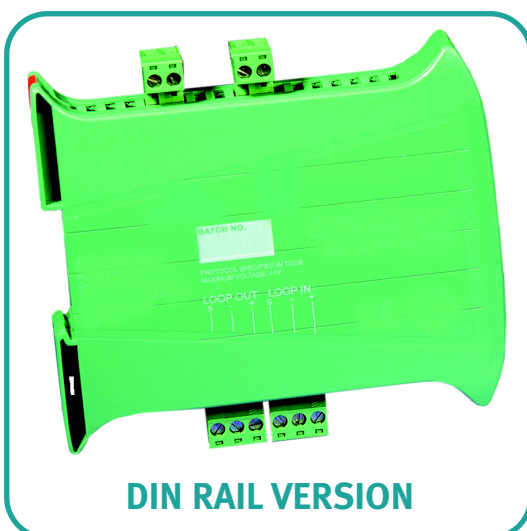
All modules are fully compatible with Hochiki's ESP analogue addressable protocol and are supplied as complete enclosures, comprising of a PCB, backplate and lid. This “Smart-Fix” housing system offers the installer added flexibility.

A weatherproof box (CHQ-BACKBOX) increases the modules IP rating from IP21 to IP65. An adaptor plate (CHQ-ADAPTOR) allows the new Modules to mimic the footprint of the old-style CHQ Modules. Addressing is achieved via simple DIL switches. All modules are also available with or without an integral short-circuit isolator, and as a DIN Rail mountable version .

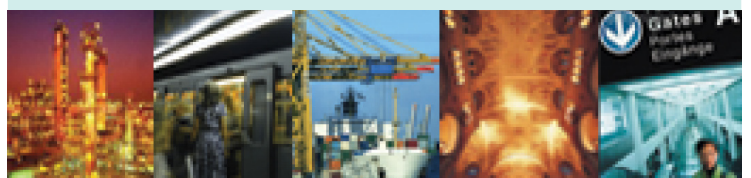


Model CHQ-DSC is a Dual Sounder Controller which has been designed to provide two sounder outputs (that can be driven separately) with full fault monitoring. The monitored input can be used for local power supply fault monitoring or as a general-purpose input.

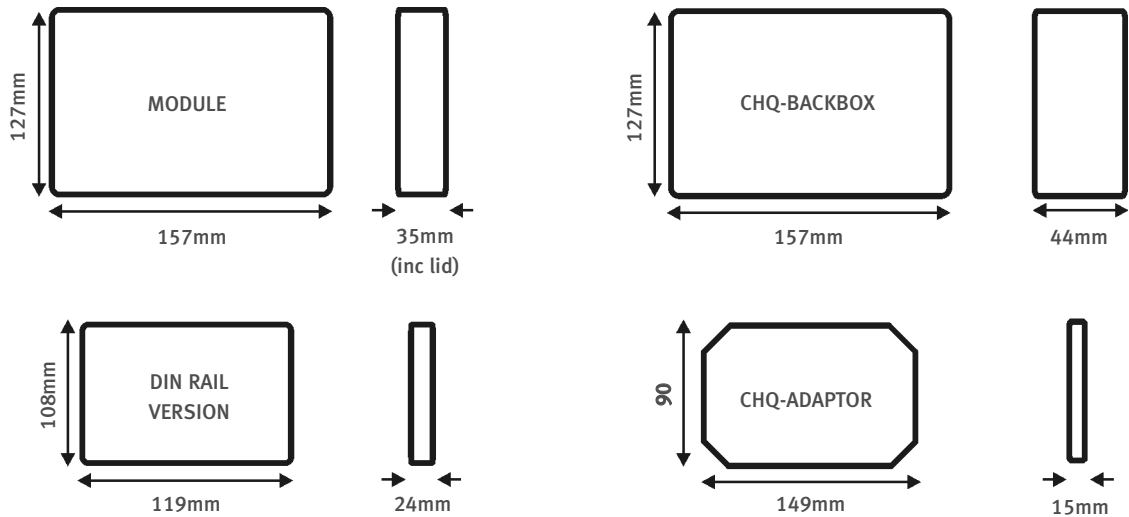
Model CHQ-DRC is a Dual Relay Controller designed to provide two general purpose relay outputs, each output can be driven separately for control of such devices as dampers or for control of plant and equipment shutdown. The monitored input can be used for local power supply fault monitoring or as a general-purpose input.



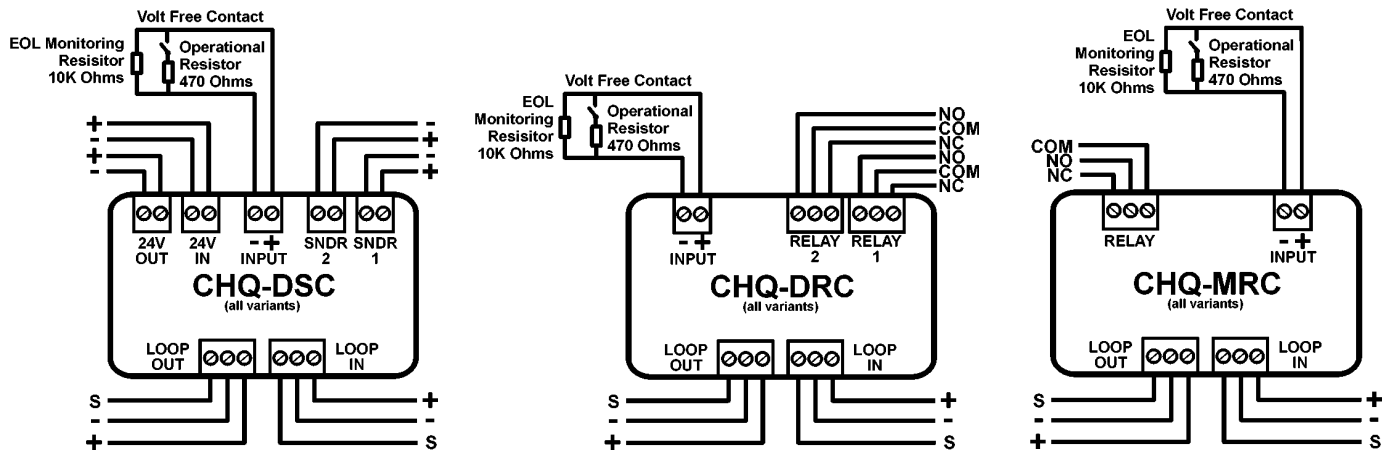
Model CHQ-MRC is a Mains Relay Controller which provides a single mains rated relay output for the control of such devices as dampers, extractors or plant and equipment shutdown. The monitored input can be used for local power supply fault monitoring or as a general-purpose input.



DIMENSIONS



Box available for DIN versions (DX070)



SPECIFICATIONS

Ordering Codes	CHQ-DSC (module) CHQ-DSC(SCI) (module with SCI) CHQ-DSC/DIN (DIN rail version) CHQ-DSC/DIN(SCI) (DIN rail version with SCI)
Operating Voltage	17 - 41Vdc
Low Power Mode (0.75s)	200µA*
Quiescent Current (typ)**	290µA*
Current Consumption	22mA ± 20% (polling)
Current in short-circuit	8mA (SCI models only)
Maximum short-circuit current	1A (SCI models only)
External Supply Voltage	20-28.8Vd.c. (24Vd.c. nominal)
Current Consumption (per bell circuit)	Sounder On: 8mA Sounder Fault: 6mA
Sounder Output Current	1A per line (max) fused @ 1.25A
Sounder Line Capacitance	0.3µF Max/Line
Sounder EOL Resistor	1KΩ, ±5%, 2W
Input EOL Resistor	10KΩ, ±5%, 0.25W
Input Threshold Levels	ON = 470Ω, short cct < 50Ω, open cct > 100KΩ
Operating Temperature Range	-10°C to +50°C
Storage Temperature Range	-30°C to +60°C
Maximum Humidity	95%RH Non Condensing (at 40°C)
Weight (g)	CHQ-DSC 354 CHQ-DSC(SCI) 120 CHQ-DSC/DIN 140 CHQ-DSC/DIN(SCI) 145
Colour & Enclosure Material	White ABS / Green ABS (DINs)

* Add 200µA per Active Sounder Line. ** SCI versions will take additional current (50µA).

Ordering Codes	CHQ-DRC (module) CHQ-DRC(SCI) (module with SCI) CHQ-DRC/DIN (DIN rail version) CHQ-DRC/DIN(SCI) (DIN rail version with SCI)
Operating Voltage	17 - 41Vdc
Low Power Mode (0.75s)	120µA*
Quiescent Current (typ)	250µA*
Current Consumption	22mA ± 20% (polling)
Current in short-circuit	8mA (SCI models only)
Maximum short-circuit current	1A (SCI models only)
Relay Contact Rating	30Vdc max, 1A (resistive load)
Input EOL Resistor	10KΩ, ±5%, 0.25W
Input threshold Levels	ON = 470Ω, short cct < 50Ω, open cct > 100KΩ
Operating Temperature Range	-10°C to +50°C
Storage Temperature Range	-30°C to +60°C
Maximum Humidity	95%RH Non Condensing (at 40°C)
Weight (g)	CHQ-DRC 340 CHQ-DRC(SCI) 344 CHQ-DRC/DIN 120 CHQ-DRC/DIN(SCI) 124
Colour & Enclosure Material	White ABS / Green ABS (DINs)

* SCI versions will take additional current (50µA).

Ordering Code	CHQ-MRC (module) CHQ-MRC(SCI) (module with SCI) CHQ-MRC/DIN (DIN rail version) CHQ-MRC/DIN(SCI) (DIN rail version with SCI)
Operating Voltage	17 - 41Vdc
Low Power Mode (0.75s)	110µA*
Quiescent Current	300µA*
Current Consumption	22mA ± 20% (polling)
Current in short-circuit	8mA (SCI models only)
Maximum short-circuit current	1A (SCI models only)
Relay Contact Rating	48Vdc max, 2A (resistive load)
Relay Contact Rating	250Vac max, 5A (resistive load)
<i>AC mains switching should only be on the same phase as the control panel.</i>	
Input EOL Resistor	10KΩ, ±5%, 0.25W
Input threshold Levels	ON = 470Ω, short cct < 50Ω, open cct > 100KΩ
Operating Temperature Range	-10°C to +50°C
Storage Temperature Range	-30°C to +60°C
Maximum Humidity	95%RH Non Condensing (at 40°C)
Weight (g)	CHQ-MRC 325 CHQ-MRC(SCI) 329 CHQ-MRC/DIN 116 CHQ-MRC/DIN(SCI) 121
Colour & Enclosure Material	White ABS / Green ABS (DINs)

* SCI versions will take additional current (50µA).

HOCHIKI EUROPE (UK) LIMITED
 Grosvenor Road, Gillingham Business Park,
 Gillingham, Kent, England ME8 0SA
 Telephone: +44 (0)1634 260133
 Facsimile: +44 (0)1634 260132
 e-mail (UK): sales@hochikieurope.com
 e-mail (Non UK): export@hochikieurope.com
 www.hochikieurope.com



Quality System
Certificate No. 164
Assessed to ISO9001



Environmental Management System
Certificate No. EMS 286
Assessed to ISO 14001 : 1996

Hochiki Europe (UK) Ltd. reserves the right to alter the specification of its products from time to time without notice. Although every effort has been made to ensure the accuracy of the information contained in this document it is not warranted or represented by Hochiki Europe (UK) Ltd. to be a complete and up-to-date description.

PART No. 9-5-0-256/ISS2/JUN07