

CHQ “SMART-FIX” MODULES - INPUTS



All modules are fully compatible with Hochiki's ESP analogue addressable protocol and are supplied as complete enclosures, comprising of a PCB, backplate and lid. This “Smart-Fix” housing system offers the installer added flexibility.

A weatherproof box (CHQ-BACKBOX) increases the modules IP rating from IP21 to IP65. An adaptor plate (CHQ-ADAPTOR) allows the new Modules to mimic the footprint of the old-style CHQ Modules. Addressing is achieved via simple DIL switches. All modules are also available with or without an integral short-circuit isolator, and as a DIN Rail mountable version .

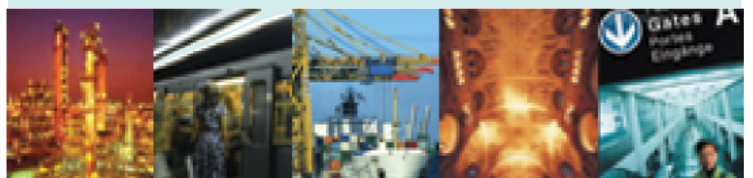


Model CHQ-SZM is a Single Zone Controller designed to allow up to six conventional detectors to be interfaced to Hochiki's ESP analogue addressable system.

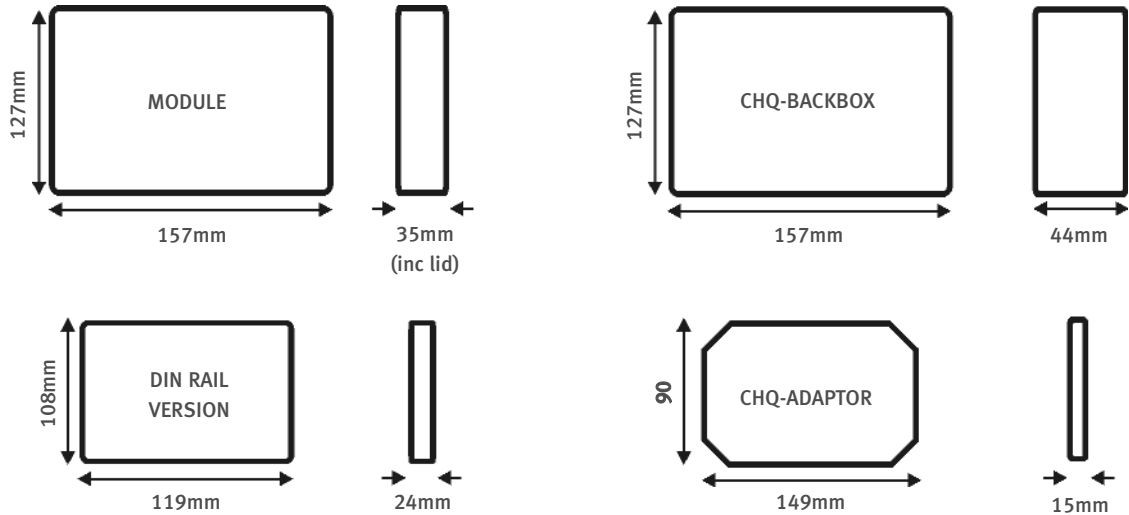
Model CHQ-DIM is a Dual Switch Monitor designed to interface to a variety of inputs such as door contacts, sprinkler flow / door switches and plant equipment. Inputs can be configured for N/O or N/C monitoring.



Model CHQ-DZM is a Dual Circuit Zone controller designed to allow up to sixty conventional detectors (30 on each zone) to be interfaced to Hochiki's ESP analogue addressable system. Schottky Diode, resistive and TE-RH-E EOL monitoring options supported.

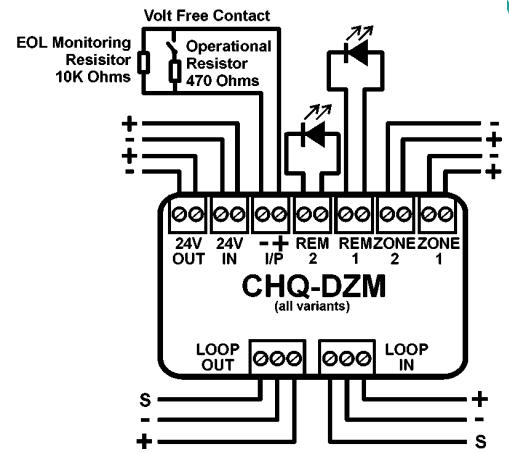
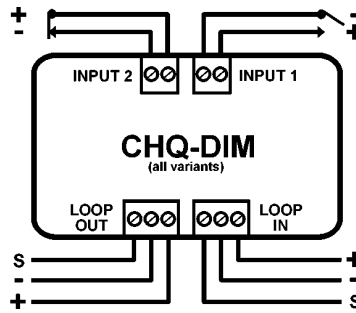
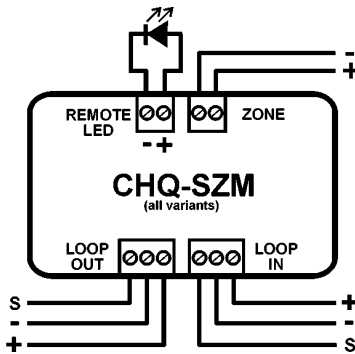


DIMENSIONS



Box available for
DIN versions
(DX070)

WIRING



SPECIFICATIONS

Ordering Codes: CHQ-SZM (module)
CHQ-SZM(SCI) (module with SCI)
CHQ-SZM/DIN (DIN rail version)
CHQ-SZM/DIN(SCI) (DIN rail version with SCI)

Operating Voltage	17 - 41Vd.c.
Low Power Mode (0.75s)	150µA*
Quiescent Current (typ)	250µA*
Current Consumption (polling)	22mA ± 20%
Current in short-circuit	8mA (SCI models only)
Maximum short-circuit current	1A (SCI models only)
E.O.L. Device	TE-RH-E (polarity conscious)
Zone Voltage	15.3V - 17.1V
Zone Resistance	50Ω Max
Zone Capacitance	0.3µF Max
Detectors per Zone	DCA, DFB, DFE - No limit. SLG, SLK, SLR, SIF, SIH, SIJ, DCC, DCD, DFJ - 6 max. SPB-ET, SPC-ET or SRA-ET - Only one and no other detectors. HF-24 - Only one and no other detectors. Conventional Call Points - No limit
Operating Temperature Range	-10°C to +50°C
Storage Temperature Range	-30°C to +60°C
Maximum Humidity	95%RH Non Condensing (at 40°C)
Weight (g)	CHQ-SZM 325 CHQ-SZM(SCI) 328 CHQ-SZM/DIN 111 CHQ-SZM/DIN(SCI) 114
Colour & Enclosure Material	White ABS / Green ABS (DINs)

*Note: SCI version will take additional current (50µA).

Ordering Codes: CHQ-DIM (module)
CHQ-DIM(SCI) (module with SCI)
CHQ-DIM/DIN (DIN rail version)
CHQ-DIM/DIN(SCI) (DIN rail version with SCI)

Operating Voltage	17 - 41Vd.c.
Low Power Mode (0.75s)	120µA*
Quiescent Current (typ)	280µA*
Current Consumption	22mA ± 20% (polling) 4.3mA (inputs active)
Current in short-circuit	8mA (SCI models only)
Maximum short-circuit current	1A (SCI models only)
Input Line Resistance	ON threshold <50Ω OFF threshold >100KΩ
Operating Temperature Range	-10°C to +50°C
Storage Temperature Range	-30°C to +60°C
Maximum Humidity	95%RH - Non Condensing (at 40°C)
Weight (g)	CHQ-DIM 324 CHQ-DIM(SCI) 327 CHQ-DIM/DIN 110 CHQ-DIM/DIN(SCI) 113
Colour & Enclosure Material	White ABS / Green ABS (DINs)

*Note: SCI version will take additional current (50µA).

Ordering Codes: CHQ-DZM (module)
CHQ-DZM(SCI) (module with SCI)
CHQ-DZM/DIN (DIN rail version)
CHQ-DZM/DIN(SCI) (DIN rail version with SCI)

Operating Voltage	17 - 41Vd.c.
Low Power Mode (0.75s)	110µA*
Quiescent Current (typ)	300µA*
Current Consumption (polling)	22mA ± 20%
Current Consumption (Ext)	800µA (quiescent), 70mA (alarm)
Current in short-circuit	8mA (SCI models only)
Maximum short-circuit current	1A (SCI models only)
E.O.L. Devices	TE-RH-E (polarity conscious), 10K resistor or Active EOL module
Zone Voltage	15.3V - 17.1V
Zone Resistance	50Ω Max
Zone Capacitance	0.3µF Max
Remote Output Rating	24 Vdc 8mA
Detectors per Zone	DCA, DFB, DFE - No limit. SLG, SLK, SLR, SIF, SIH, SIJ, DCC, DCD, DFJ - 30 max. SPB-ET, SPC-ET or SRA-ET - three and no other detectors. Conventional Call Points - No limit
Input Line Resistance	ON threshold <50Ω, OFF threshold >100KΩ, ACTIVATED threshold 470KΩ
Operating Temperature Range	-10°C to +50°C
Storage Temperature Range	-30°C to +60°C
Maximum Humidity	95%RH - Non Condensing (at 40°C)
Weight (g)	CHQ-DZM 324 CHQ-DZM(SCI) 327 CHQ-DZM/DIN 110 CHQ-DZM/DIN(SCI) 113
Colour & Enclosure Material	White ABS / Green ABS (DINs)

*Note: SCI version will take additional current (50µA).

HOCHIKI EUROPE (UK) LIMITED

Grosvenor Road, Gillingham Business Park,
Gillingham, Kent, England ME8 0SA
Telephone: +44 (0)1634 260133
Facsimile: +44 (0)1634 260132
e-mail (UK): sales@hochikieurope.com
e-mail (Non UK): export@hochikieurope.com
www.hochikieurope.com



Quality System
Certificate No. 164
Assessed to ISO9001



Environmental Management System
Certificate No. EMS 286
Assessed to ISO 14001 : 1996

Hochiki Europe (UK) Ltd. reserves the right to alter the specification of its products from time to time without notice. Although every effort has been made to ensure the accuracy of the information contained in this document it is not warranted or represented by Hochiki Europe (UK) Ltd. to be a complete and up-to-date description.

PART No. 9-5-0-255/ISS2/JUN07