

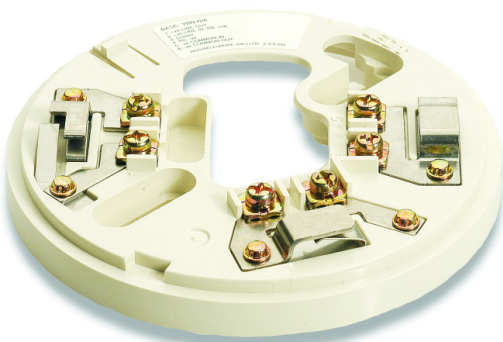
MARINE PRODUCTS



SLR-E3M



DCD-AE3M & DCD-CE3M



YBN-R/6M

All detectors in the Marine Range feature twin fire LED's allowing 360° viewing, a low profile design, a third terminal for remote indicator output and are each certified by LPCB, LRS, GL and MCA:

Model **SLR-E3M** is a conventional Photoelectric Smoke Detector.

- ▶ Removable, High Performance photoelectric chamber

Model **DCD-AE3M** is a conventional Rate of Rise Heat Detector with a 60° fixed temperature element.

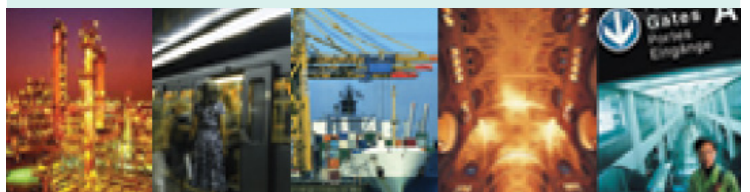
- ▶ Grade 1 Rate of Rise detector

Model **DCD-CE3M** is a conventional Rate of Rise Heat Detector with a 90° fixed temperature element.

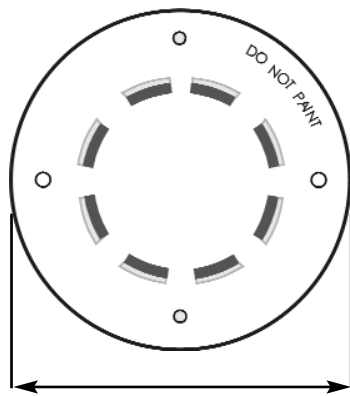
- ▶ Range 1 Rate of Rise detector

YBN-R/6M is the standard mounting base for the above marine detectors.

- ▶ Third terminal for Remote Indicator output

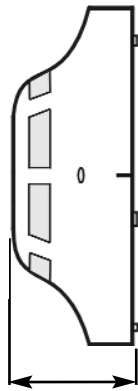


DIMENSIONS

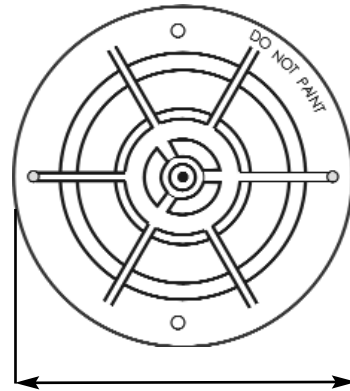


100mm

SLR-E3M

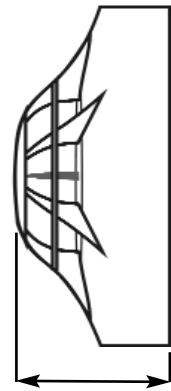


38mm



100mm

DCD-AE3M & DCD-CE3M



40mm

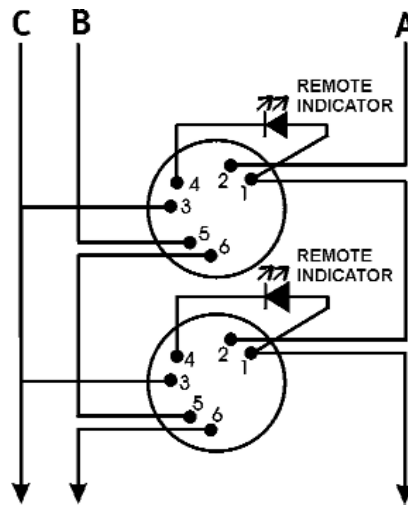
WIRING

KEY:

A Zone Wiring +ve

B Zone Wiring -ve

C Cable Screen



YBN-R/6M

SPECIFICATIONS

Ordering Code	SLR-E3M
Disposable Chamber	Yes
Operating Voltage	15 - 30Vdc
Quiescent Current (typ)	35µA
Maximum Current Alarm	40mA
Operating Temperature Range	-25°C to + 70°C
Storage Temperature Range	-30°C to + 60°C
Maximum Humidity	95%RH Non Condensing (at 40°C)
Ingress Protection Rating	IP42
Colour / Case Material	Ivory White / ABS
Weight (g)	95
Compatible Base & Base Height (mm)	YBN-R/6M / 8
Base Fixing Centres (mm)	48 ~ 74
Approvals	LPCB, Lloyds Register, Germanischer Lloyd, MCA

Ordering Codes	DCD-AE3M, DCD-CE3M
Operating Voltage	15 - 30Vdc
Quiescent Current (typ)	35µA
Maximum Current in Alarm	40mA
Operating Temperature Range	-25°C to +70°C
Storage Temperature Range	-30°C to +70°C
Maximum Humidity	95%RH Non Condensing at 40°C)
Ingress Protection Rating	IP63
Colour / Case Material	Ivory White / Polycarbonate
Weight (g)	76
Compatible Base & Base Height (mm)	YBN-R/6M / 8
Base Fixing Centres (mm)	48 ~ 74
Approvals	LPCB, Lloyds Register, Germanischer Lloyd, MCA

HOCHIKI EUROPE (UK) LIMITED

Grosvenor Road, Gillingham Business Park,
Gillingham, Kent, England ME8 0SA

Telephone: +44 (0)1634 260133

Facsimile: +44 (0)1634 260132

e-mail (UK): sales@hochikieurope.com

e-mail (Non UK): export@hochikieurope.com

www.hochikieurope.com



Quality System
Certificate No. 164
Assessed to ISO9001



Environmental Management System
Certificate No. EMS 286
Assessed to ISO 14001 : 1996

Hochiki Europe (UK) Ltd. reserves the right to alter the specification of its products from time to time without notice. Although every effort has been made to ensure the accuracy of the information contained in this document it is not warranted or represented by Hochiki Europe (UK) Ltd. to be a complete and up-to-date description.

PART No. 9-5-0-240/ISS3/APR06