

INDUSTRIAL FLAME DETECTOR



IFD-E(Exd)

Model IFD-E is an IR³ flame detector designed for use where open flaming fires may be expected and responds to the light emitted from flames during combustion.

The detector discriminates between flames and other light sources by responding only to particular optical wavelengths and flame flicker frequencies. This enables the detector to avoid false alarms due to such factors as flickering sunlight. Ideal for the detection of flames from the burning of Aviation Fuels (kerosene), Butane, Grain & Feeds, Hydrogen, Paper, Natural Gas, Petrol (gasoline) etc.

The unit features volt free contacts from two internal relays (can be latching or non-latching) RL1 (Fire) and RL2 (Fault or pre-alarm) which can indicate the status to the control equipment.

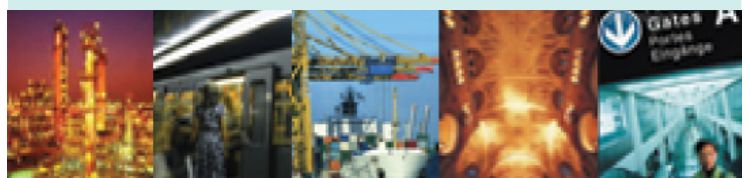
An Intrinsically Safe model is also available, **IFD-E(IS)**, which is certificated to

II 1 G EEx ia IIC T4

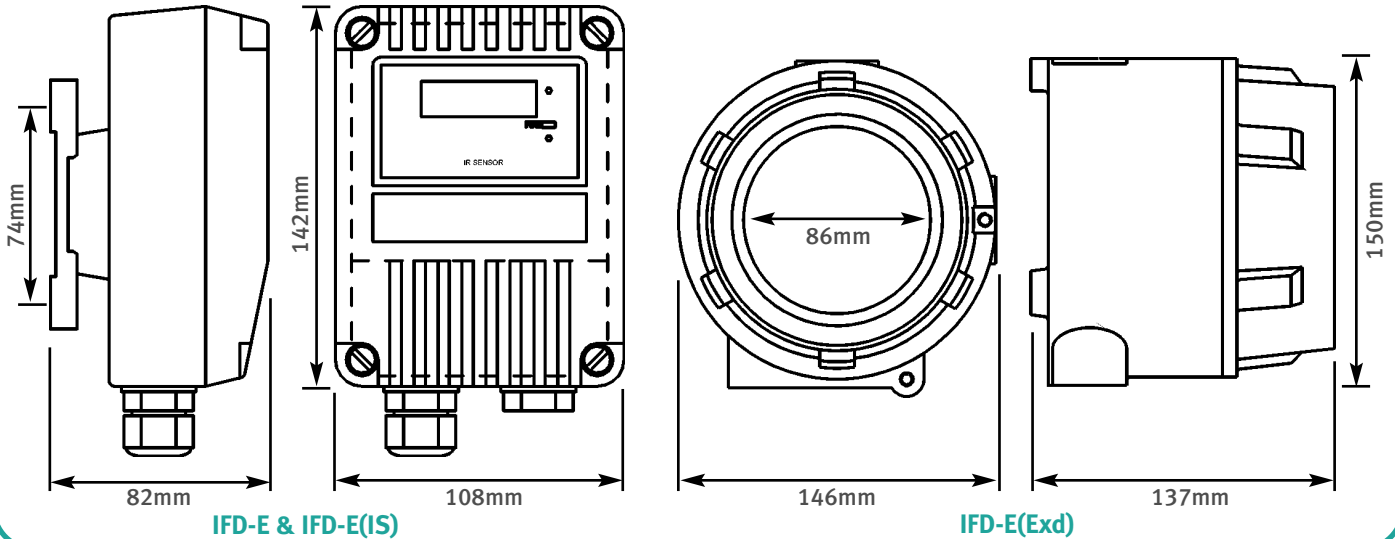
An explosion-proof model is also available, model **IFD-E(Exd)** certificated to

II 2 G D EEx d IIC T6 (85°C)

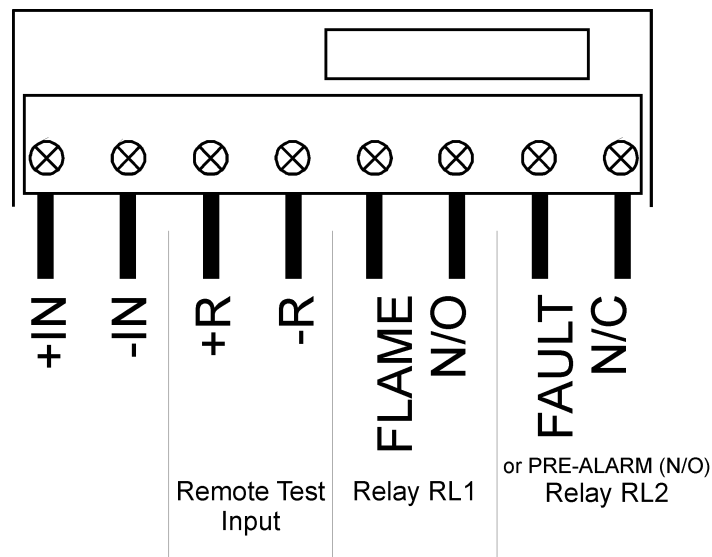
- ▶ Unaffected by convection currents, draughts or wind and solar-blind
- ▶ Tolerant of fumes, vapours, dust and mist
- ▶ Responsive to a flame more than 25m away
- ▶ Selectable response speed
- ▶ Class 1 performance as defined in BS EN54-10:2002 (on the high sensitivity setting)
- ▶ Optical self-test



DIMENSIONS



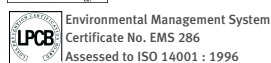
WIRING



SPECIFICATION

Ordering Codes	IFD-E	IFD-E(Exd) (Explosion Proof Model)
	IFD-E(IS) (Intrinsically Safe Model)	
	IFD-MB (Mounting Bracket)	
Operating Voltage	14 - 30Vd.c.	
Alarm Current (selected via by DIL switches)	3 ~ 28mA	
Test Signal Voltage	14 to 30Vd.c.	
Relay Contact Ratings	Current	1.0A (max)
	Voltage	50Vd.c. (max)
	Power	30W (max) (resistive loads only)
Field of View	90° min. Cone	
Operating Wavelength Band	IR (0.75 ~ 2.7µm)	
Operating Temperature Range	-10°C to + 55°C	
Storage Temperature Range	-20°C to + 65°C	
Power Up Time	2 seconds (max)	
Maximum Humidity	95%RH - Non Condensing (at 40°C)	
Ingress Protection Rating	IP65	IP66
Colour / Case Material	Blue / Die-Cast Zinc Alloy (ZA12)	Red / Copper-Free Aluminium Alloy
Weight (kg)	2.0	2.5

HOCHIKI EUROPE (UK) LIMITED
 Grosvenor Road, Gillingham Business Park,
 Gillingham, Kent, England ME8 0SA
 Telephone: +44 (0)1634 260133
 Facsimile: +44 (0)1634 260132
 e-mail (UK): sales@hochikieurope.com
 e-mail (Non UK): export@hochikieurope.com
 www.hochikieurope.com



Hochiki Europe (UK) Ltd. reserves the right to alter the specification of its products from time to time without notice. Although every effort has been made to ensure the accuracy of the information contained in this document it is not warranted or represented by Hochiki Europe (UK) Ltd. to be a complete and up-to-date description.

PART No. 9-5-0-320/ISS1/MAY07