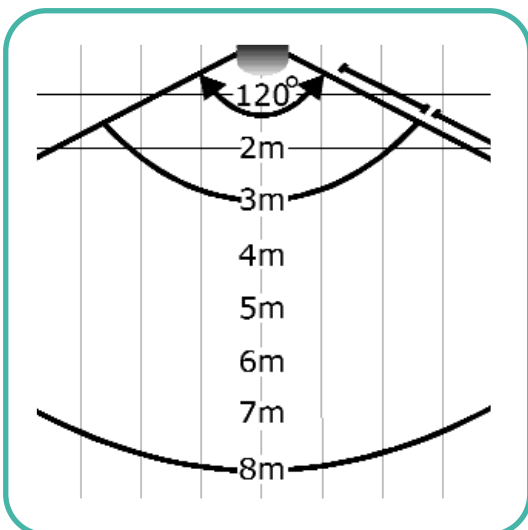


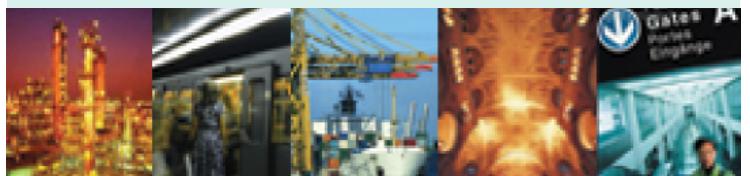
## FLAME DETECTOR



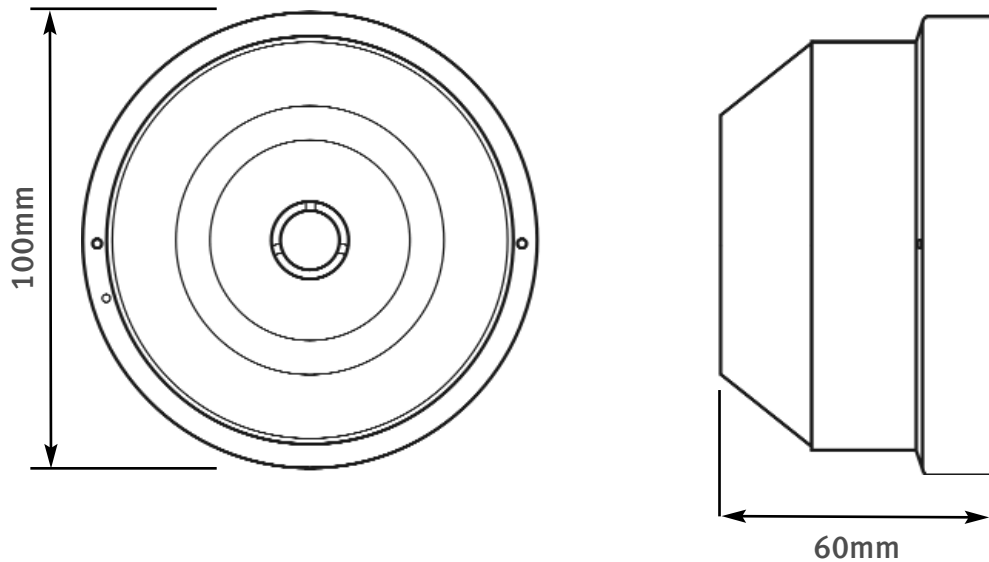
**Model HF-24 Flame Detector detects the presence of a flame within its field of view by sensing the ultraviolet radiation emitted.**

The detector has been designed for internal use and is particularly suited to installations where flame can be expected to develop initially rather than smoke due to the nature of combustible materials such as films, video and computer tapes.

- ▶ Incorporates electronic filter to minimise unwanted alarms
- ▶ High immunity against electrical noise and radio frequency interference
- ▶ Special pulsed circuit design reduces standby current
- ▶ Requires YBF-RL/4H5 base



## DIMENSIONS



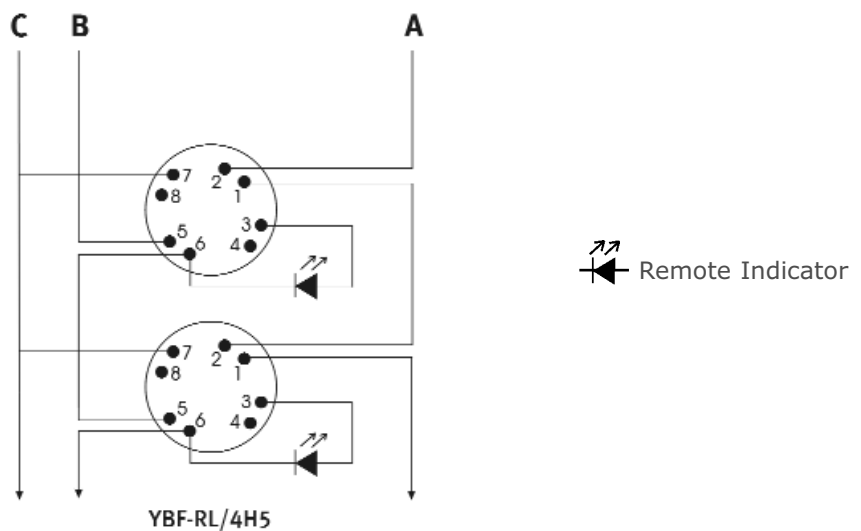
## WIRING

### KEY:

A Zone Wiring +ve

B Zone Wiring -ve

C Cable Screen



## SPECIFICATION

Ordering code	HF-24
Operating voltage	15 - 30Vdc (Nominal rating 24Vdc)
Standby current (typ)	200µA at 24Vdc
Detection angle	120° Cone
UV sensitivity range	185 to 260nm
Current in alarm state (max)	50mA (with YBF-RL/4H5 Base)
Operating temperature range	-10°C to +50°C
Storage temperature range	-30°C to +70°C
Maximum humidity	95%RH - Non condensing (at 40°C)
Ingress Protection Rating	IP42
Colour / Case Material	Ivory White / ACS
Weight (g)	152
Compatible Base	YBF-RL/4H5
Base Height (mm)	10

### HOCHIKI EUROPE (UK) LIMITED

Grosvenor Road, Gillingham Business Park,  
Gillingham, Kent, England ME8 0SA

Telephone: +44 (0)1634 260133

Facsimile: +44 (0)1634 260132

e-mail (UK): sales@hochikieurope.com

e-mail (Non UK): export@hochikieurope.com

www.hochikieurope.com



Quality System  
Certificate No. 164  
Assessed to ISO9001



Environmental Management System  
Certificate No. EMS 286  
Assessed to ISO 14001 : 1996

Hochiki Europe (UK) Ltd. reserves the right to alter the specification of its products from time to time without notice. Although every effort has been made to ensure the accuracy of the information contained in this document it is not warranted or represented by Hochiki Europe (UK) Ltd. to be a complete and up-to-date description.

PART No. 9-5-0-241/ISS2/JAN07