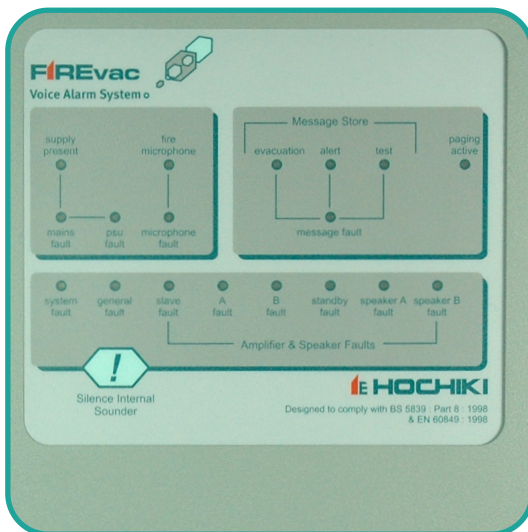


FIREVAC SYSTEM

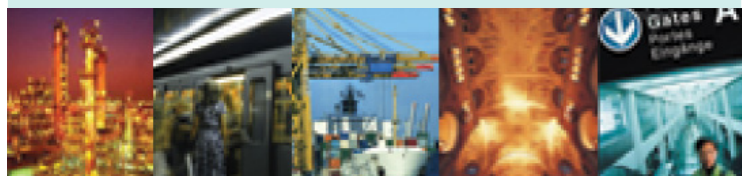


Hochiki's **FIREvac** is a new low-cost, high quality modular voice alarm system purposely designed to simplify the provision of a fully BS5839-8 compliant voice alarm system. From one compact wall-mounted enclosure, **FIREvac** can easily be added to an Hochiki ESP loop by way of a module such as the CHQ-DRC (dual relay controller), making integration with an existing fire detection system simple.

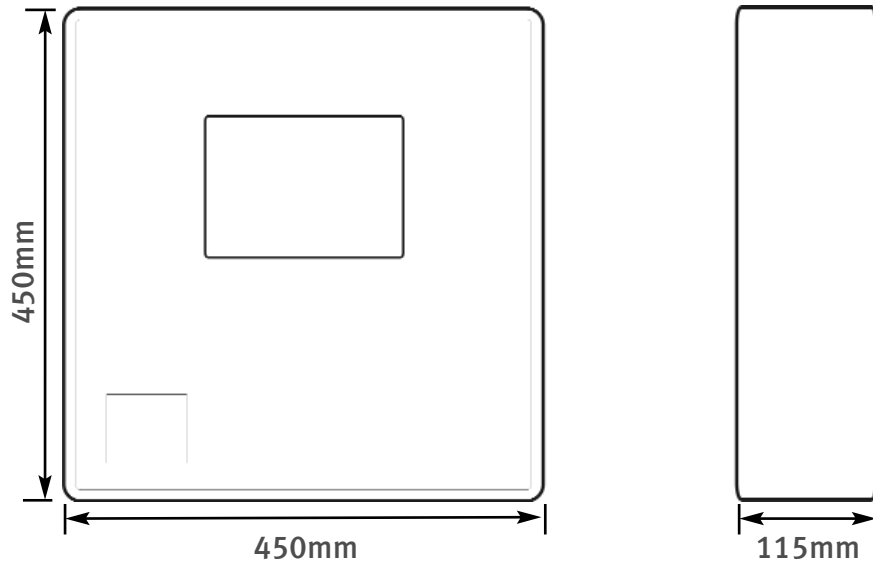
Up to 10 Slave FIREvac panels can be connected to give more voice alarm coverage if required. Both Master and Slave FIREvac panels are also available with a hot swap amplifier.



- ▶ A high quality digital message store containing programmable evacuate alert and test messages
- ▶ A prioritised mixer
- ▶ Two 60 Watt 'Class D' amplifiers
- ▶ An EN54 compliant switch mode PSU/battery charger
- ▶ Three balanced line level inputs (for the optional connection of a firefighter's microphone, paging/public address equipment and a background music source)

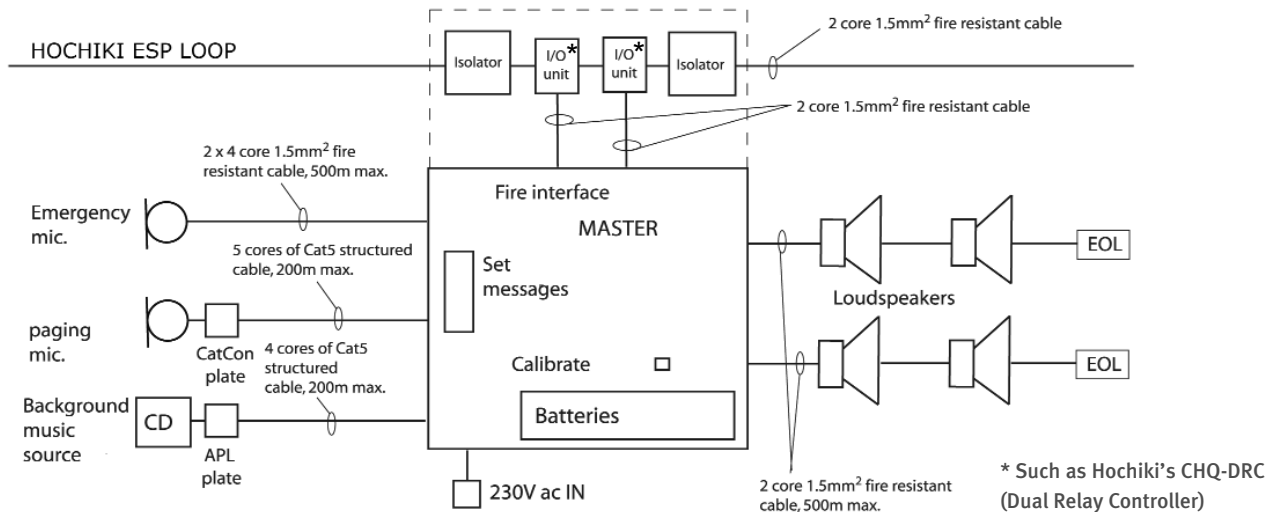


DIMENSIONS



WIRING

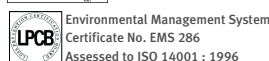
To meet BS5839-8, the I/O units must be mounted adjacent to the FIREvac Master such that they can be considered one cabinet



SPECIFICATION

Ordering Codes	FIREvac Master / FIREvac Slave
Operating Voltage	230Va.c. ±10% 50/60Hz
Maximum Output Current	5A (continuous), 7A (peak) @230Va.c.
Quiescent Current	85mA (mains fail, no devices)
Battery Size & Type	2 x 12V 7AHr VRLA connected in series
Speaker Circuits	2 x 60 Watts (continuous average power)
Speaker Line Cabling	2 core fire resistant screened, min 1.5mm ² (500m max)
BGM Input Level	230mV RMS (no link), 2.3V RMS (link fitted)
Page Mic Input Level	230mV RMS (no link), 2.3V RMS (link fitted)
Inputs	4 - Evac, Alert, Test, Reset
Balanced Line Level Outputs	3 - Fireman's Mic, Background Music, Public Address
Slave Line Output	Up to 10 Slaves per Master Panel
Colour and Case Material	RAL 7042 - "Traffic Grey A" / Steel
Weight (kg)	Master 11.1, Slave 10.6

HOCHIKI EUROPE (UK) LIMITED
 Grosvenor Road, Gillingham Business Park,
 Gillingham, Kent, England ME8 0SA
 Telephone: +44 (0)1634 260133
 Facsimile: +44 (0)1634 260132
 e-mail (UK): sales@hochikieurope.com
 e-mail (Non UK): export@hochikieurope.com
 www.hochikieurope.com



Hochiki Europe (UK) Ltd. reserves the right to alter the specification of its products from time to time without notice. Although every effort has been made to ensure the accuracy of the information contained in this document it is not warranted or represented by Hochiki Europe (UK) Ltd. to be a complete and up-to-date description.

PART No. 9-5-0-328/ISS1/MAY07