

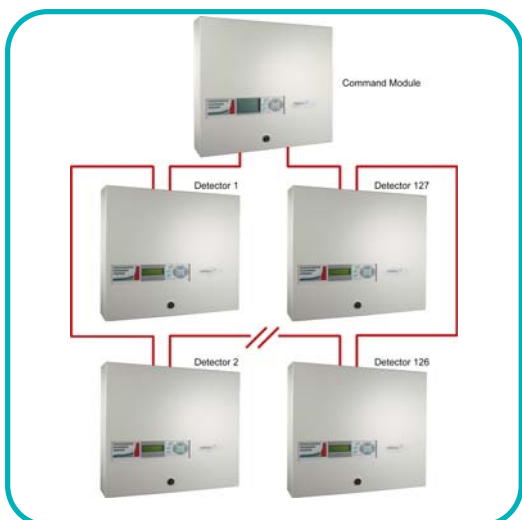
FIRELINK-CM



Model FIRElink-CM is a standalone Command Module designed to provide a single location display, control and interfacing option for systems of up to 127 FIRElink detectors on a network and allows global programming of all detector functions simultaneously.

Each detector on the network can be up to 1.2Km apart and each is wired in the same manner as an Hochiki ESP loop. Use of the Command Module will provide a full tolerant connection between all detectors.

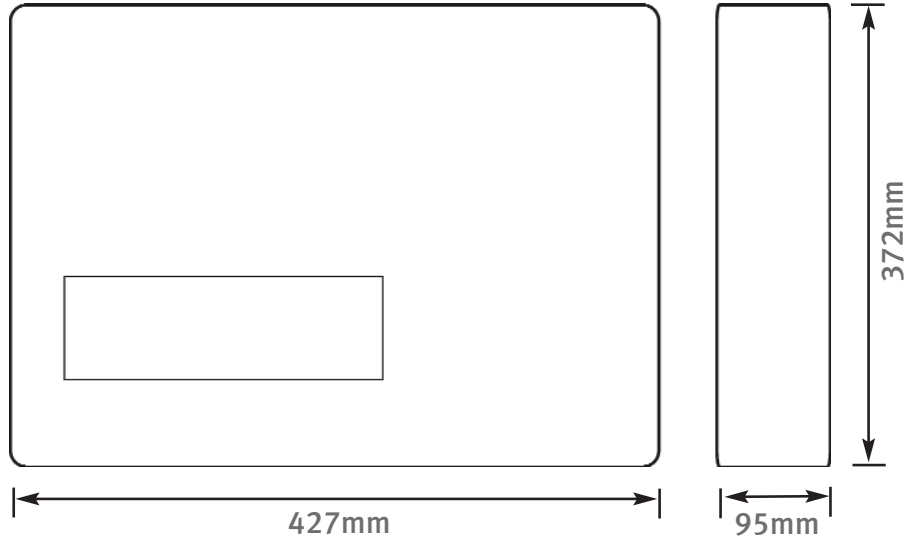
The FIRElink-CM is fully compatible with the SenseNET monitoring and management system.



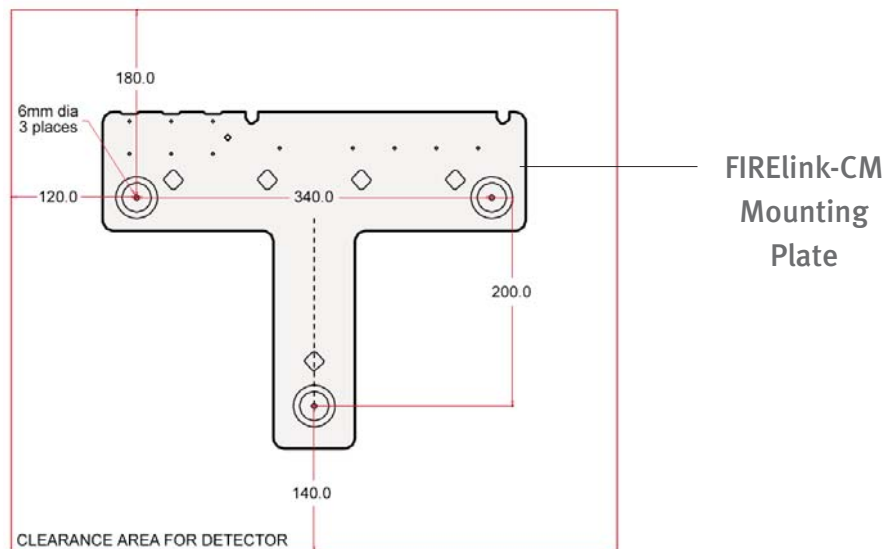
- ▶ Controls and programs up to 127 other FIRElink detectors
- ▶ Built-in Short Circuit Isolator for optimum performance
- ▶ Design matches other 4-pipe models in the FIRElink range
- ▶ RS485 communications built in as standard for networking and remote communications



DIMENSIONS



MOUNTING



SPECIFICATION

Order Code	FIRElink-CM (Standalone Command Module)
Supply Voltage	21.6V - 26.4V d.c.
Current Consumption	450mA @ 24V d.c.
Weight	6.2kg
Operating Temperature Range	0 to +38°C (UL268), -10 to + 60°C (CEA4022)
Operating Humidity Range	0 - 90% non-condensing
Alarm levels	4 (Aux, Pre-alarm, Fire 1 and Fire 2)
Bargraph segments	26
Network data bus / Maximum data bus length	RS485 / 1.2 km between detectors
IP rating	IP50

HOCHIKI EUROPE (UK) LIMITED
 Grosvenor Road, Gillingham Business Park,
 Gillingham, Kent, England ME8 0SA
 Telephone: +44 (0)1634 260133
 Facsimile: +44 (0)1634 260132
 e-mail (UK): sales@hochikieurope.com
 e-mail (Non UK): export@hochikieurope.com
 www.hochikieurope.com



Hochiki Europe (UK) Ltd. reserves the right to alter the specification of its products from time to time without notice. Although every effort has been made to ensure the accuracy of the information contained in this document it is not warranted or represented by Hochiki Europe (UK) Ltd. to be a complete and up-to-date description.

PART No. 9-5-0-388/ISS1/JUN08