

FIRELINK-400



Model FIRElink-400 is designed to provide very high sensitivity smoke detection using an aspirating technique.

A unique sensing technology ensures that the detector operates at optimum sensitivity for the protected environment, without the need for complex setup.

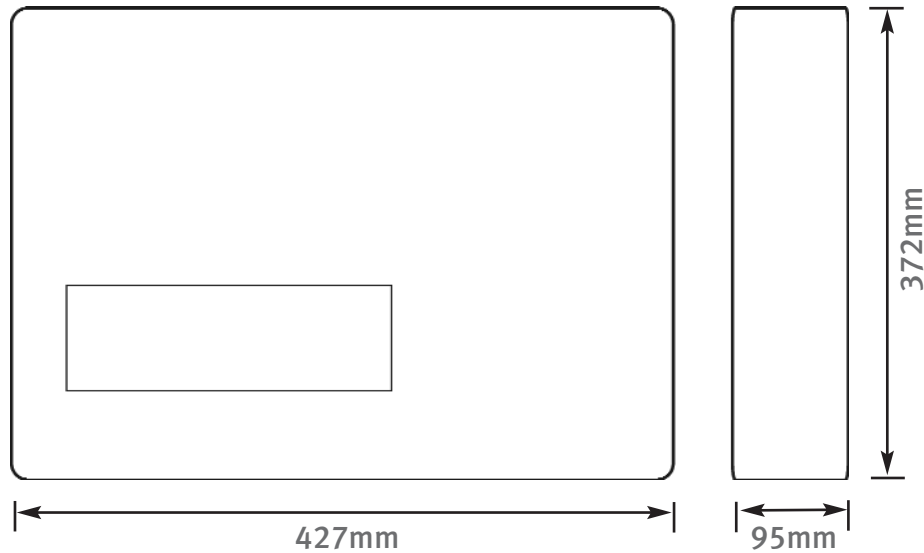
The detector is available in three formats, the standard detector (**FIRElink-400**), the standard detector plus Command Module (**FIRElink-400CM**) and a standalone Command Module (**FIRElink-CM**).



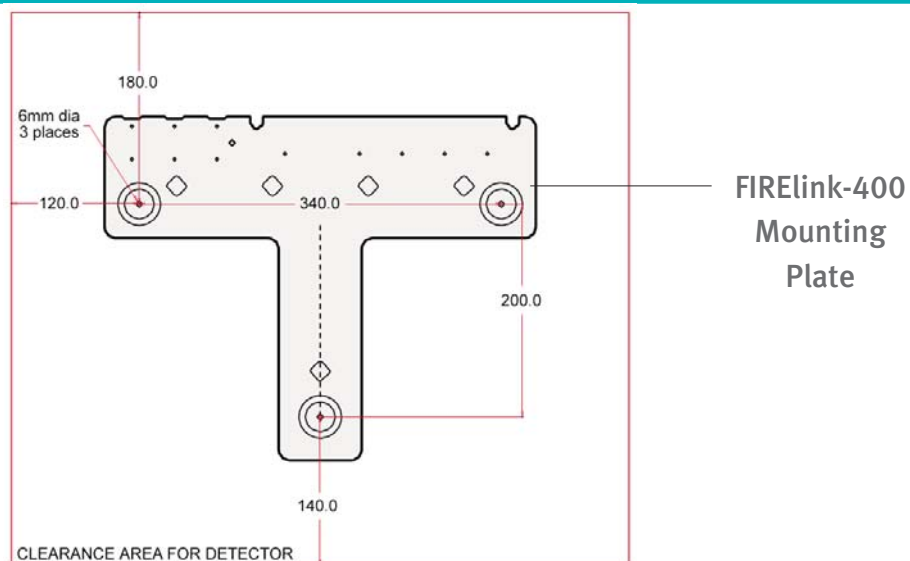
- ▶ Volt-free Fire-1 and Fault relay outputs are provided for remote monitoring by local fire detection or BMS systems.
- ▶ High sensitivity provided by laser based forward light scatter for reliable early warning
- ▶ Four sampling pipes up to 200m (aggregate) in length (still air)
- ▶ False alarms reduced by unique laser sensing technology - able to discriminate against dust
- ▶ RS485 communications built in as standard for networking and remote communications



DIMENSIONS



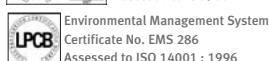
MOUNTING



SPECIFICATION

Order Code	FIRElink-400 (Standard Detector)
Supply Voltage	21.6V - 26.4V d.c.
Current Consumption	470mA @ 24V d.c. at fan speed 8
Weight	5.2kg
Operating Temperature Range	0 to +38°C (UL268), -10 to + 60°C (CEA4022)
Operating Humidity Range	0 - 90% non-condensing
Measurement Range (%Obs/m)	0.0015% to 25%
Detection Principle	Laser light scattering mass detection and particle evaluation
Particle Sensitivity Range	0.003µ to 10µ
Dust Discrimination Principle	3D ³ Laser Dust Discrimination (LDD)
Maximum Single Sampling Pipe Length	100m
Sampling Pipe Diameter	3/4" nominal bore (27mm O/D)
Total Sampling Pipe Maximum	200m @ 100 sampling holes
Alarm levels	4 (Aux, Pre-alarm, Fire 1 and Fire 2)
Bargraph segments	26
Network data bus / Maximum data bus length	RS485 / 1.2 km between detectors
IP rating	IP50
Sampling pipe inlets	4 on top, 4 at rear
Exhaust air pipe outlets	1 on top, 1 at rear

HOCHIKI EUROPE (UK) LIMITED
 Grosvenor Road, Gillingham Business Park,
 Gillingham, Kent, England ME8 0SA
 Telephone: +44 (0)1634 260133
 Facsimile: +44 (0)1634 260132
 e-mail (UK): sales@hochikieurope.com
 e-mail (Non UK): export@hochikieurope.com
 www.hochikieurope.com



Hochiki Europe (UK) Ltd. reserves the right to alter the specification of its products from time to time without notice. Although every effort has been made to ensure the accuracy of the information contained in this document it is not warranted or represented by Hochiki Europe (UK) Ltd. to be a complete and up-to-date description.

PART No. 9-5-0-391/ISS1/JUN08