

## FIRELINK-25



Model FIRElink-25 is designed to provide very high sensitivity smoke detection in a small package.

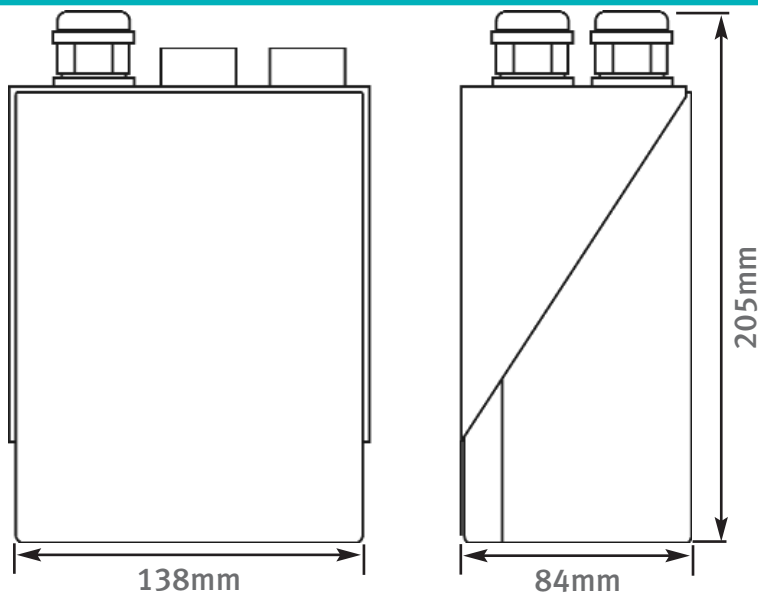
A unique sensing technology ensures that the detector operates at optimum sensitivity for the protected environment, without the need for complex setup. This means the product will configure itself to provide high sensitivity in a computer room or reduced sensitivity in a smoky area.

The detector is designed to fit into a Docking Station which accepts all sampling pipes and cables leaving the detector to be fitted during the final commissioning phase. This ensures that the detector is less likely to be damaged during installation. Volt-free Fire 1 and Fault relay outputs are provided for remote monitoring by local fire detection or BMS systems.

- ▶ Ultra small, low cost aspirating smoke detector for easy and discreet installation
- ▶ High sensitivity provided by laser based forward light scatter for reliable early warning
- ▶ Single sampling pipe up to 50m in length (still air)
- ▶ False alarms reduced by unique laser sensing technology - able to discriminate against dust
- ▶ RS485 communications built in as standard for networking and remote communications

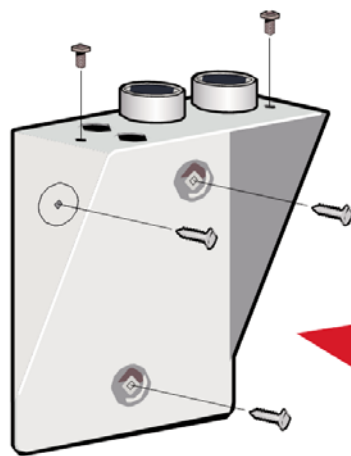


## DIMENSIONS



## MOUNTING

FIRElink detectors can be interfaced onto the Hochiki ESP loop by utilising an Hochiki Dual Input Module - CHQ-DIM. Refer to FIRElink Installation Instructions for further details.



FIRElink-25 detectors are mounted into a 'piped exhaust' type Docking Station.



## SPECIFICATION

Order Code	FIRElink-25
Supply Voltage	21.6V - 26.4Vd.c.
Current Consumption	250mA @ 24Vd.c.
Relay Contact Rating	500mA @ 30V
Operating Temperature Range	0 to +38°C (UL268), -10 to + 60°C (CEA4022)
Operating Humidity Range	0 - 90% non-condensing
Measurement Range (%Obs/m)	0.03% to 25% (full scale detection)
Detection Principle	Laser light scattering mass detection and particle evaluation
Particle Sensitivity Range	0.003µ to 10µ
Dust Discrimination Principle	3D <sup>3</sup> Laser Dust Discrimination (LDD)
Recommended Sampling Pipe Length	25m moving air / 50m still air (max)
Sampling Pipe Diameter	3/4" nominal bore (27mm O/D)
Recommended Number of Sampling Holes	10
Alarm Levels	2 - "FIRE" and "FAULT" (2 additional levels available with optional Relay Card or APIC fitted)
IP Rating	IP50
Sampling Pipe Inlets	1
Exhaust Air Pipe Outlets	1 (on docking station)
Weight	1.7kg (with docking station)

**HOCHIKI EUROPE (UK) LIMITED**  
 Grosvenor Road, Gillingham Business Park,  
 Gillingham, Kent, England ME8 0SA  
 Telephone: +44 (0)1634 260133  
 Facsimile: +44 (0)1634 260132  
 e-mail (UK): sales@hochikieurope.com  
 e-mail (Non UK): export@hochikieurope.com  
 www.hochikieurope.com



Quality System  
 Certificate No. 164  
 Assessed to ISO9001



Environmental Management System  
 Certificate No. EMS 286  
 Assessed to ISO 14001 : 1996

Hochiki Europe (UK) Ltd. reserves the right to alter the specification of its products from time to time without notice. Although every effort has been made to ensure the accuracy of the information contained in this document it is not warranted or represented by Hochiki Europe (UK) Ltd. to be a complete and up-to-date description.

**PART No. 9-5-0-331/ISS2/JUN08**