

## ANALOGUE CALL POINTS



**HCP-E & HCP-E(DPS)**



**HCP-W & HCP-W(DPS)**



**BGU-E(PS)**

All models are fully compatible with Hochiki's ESP analogue addressable protocol. The HCP variants can be fitted either with a glass or a non-frangible element:

The HCP-E Call Point incorporates a red LED mounted on the front cover, which can be selected as pulsing/non-pulsing with communications polling\* and is continuously illuminated when the HCP-E is operated. A version incorporating a non-latching contact that allows the installer to connect additional equipment to the Call Point is also available (HCP-E(DPS)).

- ▶ Surface or flush mounting
- ▶ Different colours available
- ▶ Addressed via TCH-B100 Hand Held Programmer (with PL-3 Lead)



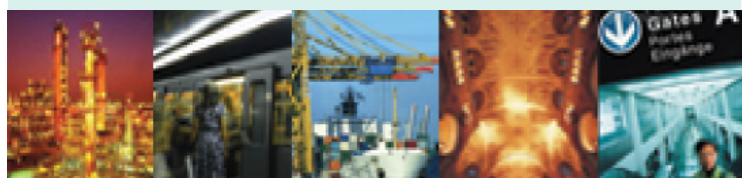
The HCP-W (and HCP-W(DPS)) are Weatherproof Call Points

- ▶ IP67 rated

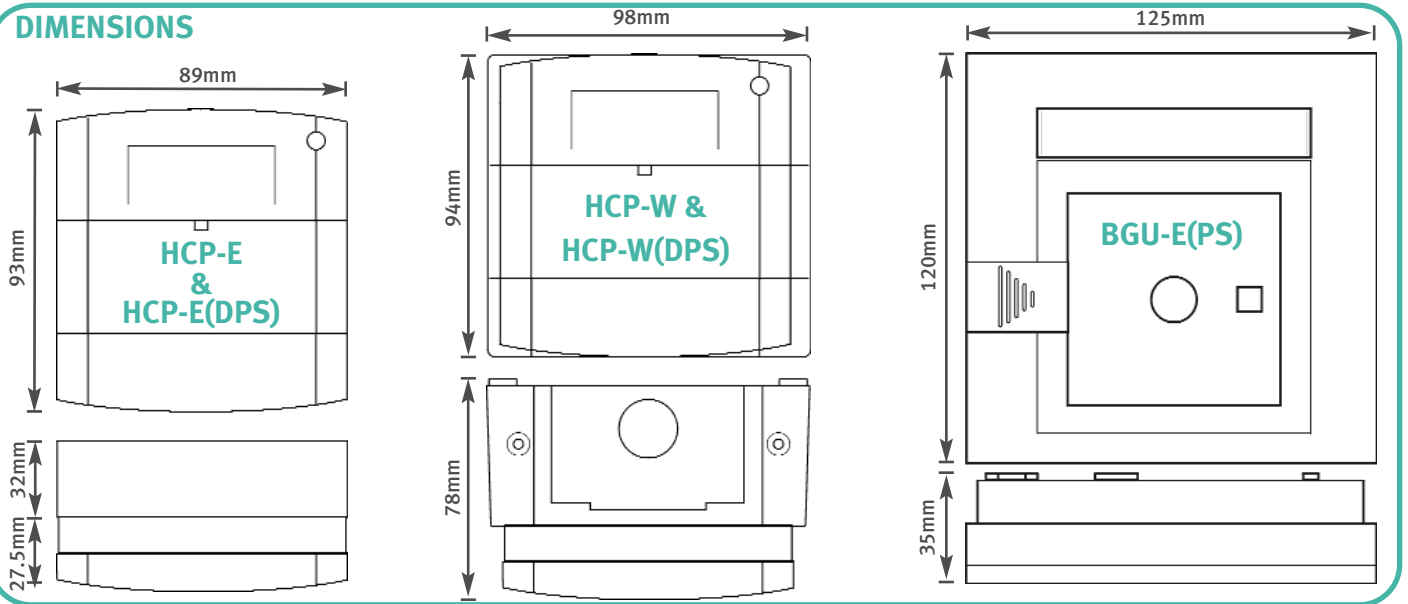
The BGU-E(PS) is a splash-proof call point incorporating an integral short circuit isolator and a bi-coloured LED which indicates the current state of the unit. For export market only. Fast response

- ▶ Bi-coloured status LED
- ▶ Addressed via TCH-B100 Hand Held Programmer (with PL-3 Lead)
- ▶ IP54 rated
- ▶ Approved by VdS

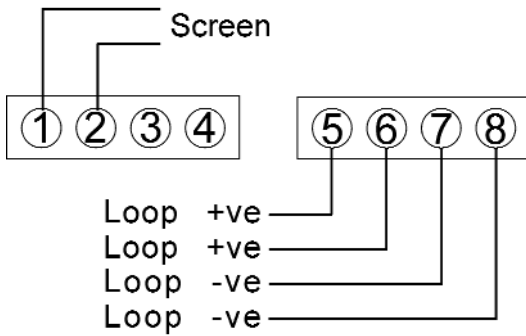
*\*Dependent on control panel compatibility.*



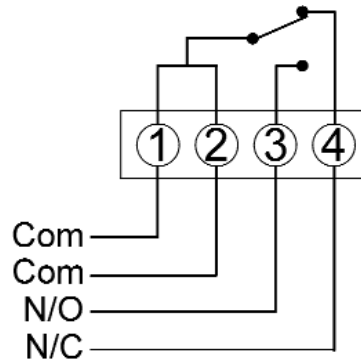
## DIMENSIONS



## WIRING

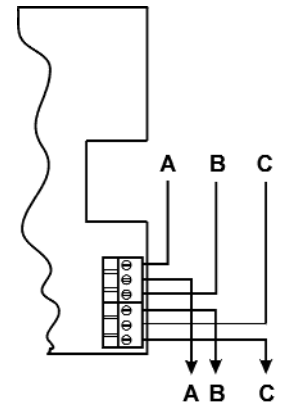


HCP-E / HCP-W



Additional HCP-E(DPS) & HCP-W(DPS) wiring

KEY: A Loop +ve  
B Loop -ve  
C Cable Screen



BGU-E(PS)

## SPECIFICATIONS

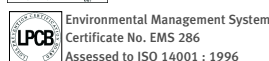
Ordering Codes	HCP-E HCP-E(DPS) SR (Back Box for HCP-E) SR1T (Back Box for HCP-E(DPS))
Operating Voltage	17 - 41Vd.c.
Low Power Mode (typ)	90µA
Quiescent Current (typ)	220µA
Alarm Current (typ)	5.0mA
Operating Temperature Range	-10°C to + 50°C
Storage Temperature Range	-30°C to + 60°C
Maximum Humidity	95%RH - Non Condensing (at 40°C)
Ingress Protection Rating	IP24
Colour / Case Material	Red / Modified (other colours available) Polyphenylene Oxide
Weight (g)	
Flush Unit	110
With Surface Mount Back Box	161
Approval	LPCB EN 54-11:2001

Ordering Codes	HCP-W HCP-W(DPS)
Operating Voltage	17 - 41Vd.c.
Low Power Mode (typ)	85µA
Quiescent Current (typ)	230µA
Alarm Current (typ)	4.1mA
Operating Temperature Range	-10°C to + 50°C
Storage Temperature Range	-30°C to + 70°C
Maximum Humidity	95%RH - Non Condensing (at 40°C)
Ingress Protection Rating	IP67
Colour / Case Material	Red / Modified (other colours available) Polyphenylene Oxide
Weight (g)	234
Approval	LPCB EN 54-11:2001

Ordering code	BGU-E(PS)*1	
Operating Voltage	17 - 31 Vd.c.	
Low Power Mode (typ)	100µA (typ.)	
Quiescent mode current	250µA (typ.)	
Current - BGU-E(PS) operated (fire condition)	620µA (typ. without Fire LED on)	
Current drawn by isolator during fault condition	8mA	
Maximum continuous current	1A	
Maximum quantity per loop	127*2	
STATUS	RED	AMBER
Normal	Off	Off
SCI active	Off	On
Fire Condition	On	Off
Fire Condition & Short-Circuit Condition	On	Off
Operating Temperature Range	-10°C to +50°C	
Storage Temperature Range	-30°C to + 60°C	
Relative humidity	95% RH (at 40°C)	
Colour and case material	Red ABS	
Maximum wire thickness	1.5 mm <sup>2</sup> /terminal	
Weight (g)	240	
Ingress Protection Rating	IP54 (splash-proof)	
Approval	VdS (G202028)	

\*1 Fire alarm control panel compatibility is required for this product.  
\*2 Check with Fire alarm control panel manufacturer for maximum loop quantities

**HOCHIKI EUROPE (UK) LIMITED**  
Grosvenor Road, Gillingham Business Park,  
Gillingham, Kent, England ME8 0SA  
Telephone: +44 (0)1634 260133  
Facsimile: +44 (0)1634 260132  
e-mail (UK): sales@hochikieurope.com  
e-mail (Non UK): export@hochikieurope.com  
www.hochikieurope.com



PART No. 9-5-0-253/ISS4/JUL06