

# CONVENTIONAL AUDIO/VISUAL PRODUCTS



Model CLB-E(RED) is a conventional Beacon for use on 24V Sounder Circuits.

The unit is fitted with a Fresnel lens and high-intensity LEDs, a design which produces a highly visible flash.

- ▶ High Intensity LED technology
- ▶ Colour-matched to existing detector and base ranges
- ▶ Fits standard CDX base (YBN-R/6)



The MBF-6EV and MBA-6 are both six-inch, aluminium alarm bells based upon the industry standard KOBELL range.

The MBF-6EV is for internal use, the MBA-6 comes equipped with a weatherproof back box enabling it to be used externally.

- ▶ Low current consumption
- ▶ Fully suppressed and polarised
- ▶ 95dB(A) at 1 metre (typ) for MBF-6EV
- ▶ 100dB(A) at 1 metre (typ) for MBA-6



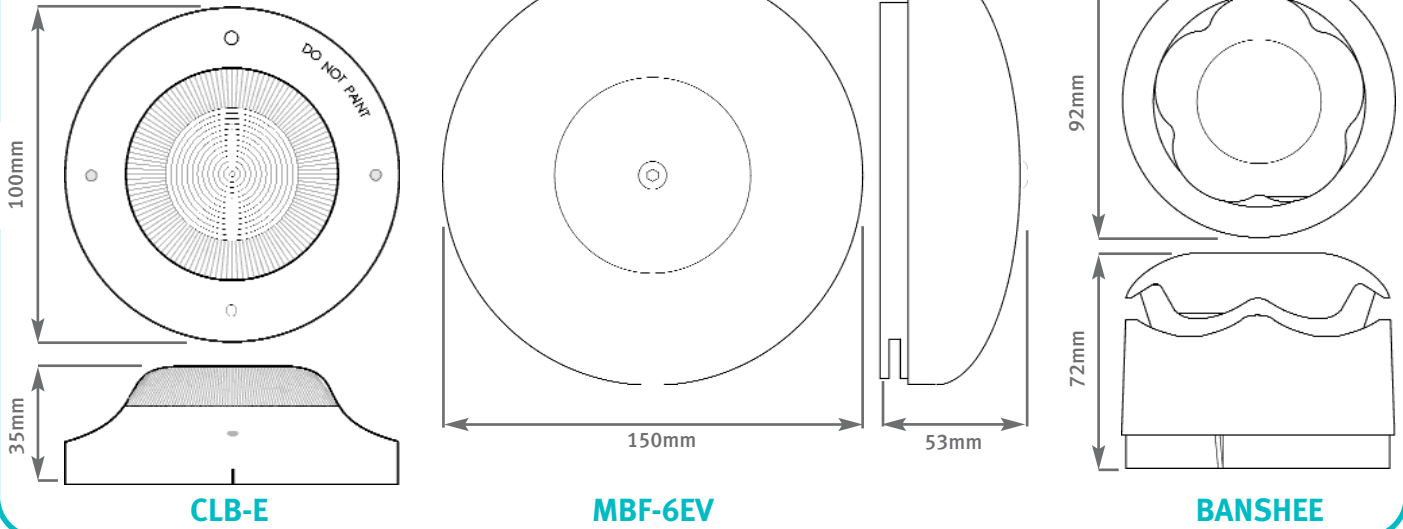
The BANSHEE is an electronic conventional sounder for both internal and external use.

With the choice of two types of back box the BANSHEE can be used externally as well as internally.

- ▶ 32 tones user-selected using simple DIL switches
- ▶ Maximum 112dB(A) at 1 metre (dependant on tone selected)

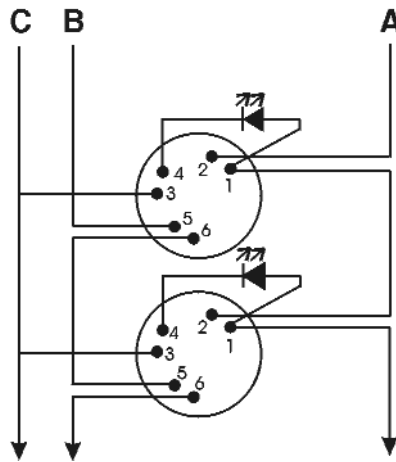


## DIMENSIONS



## WIRING

KEY: A +ve, B -ve, C Cable Screen



YBN-R/6 Base for CLB-E

Please note this device **MUST** be fitted to a sounder/powered circuit, **NOT** to a zone.

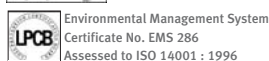
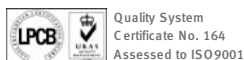
## SPECIFICATIONS

Ordering Code	CLB-E(RED)
Operating Voltage	17 - 41Vd.c.
Operating Current (typ)	4.3mA (5.0mA max)
Operating Temperature Range	-10°C to +50°C
Storage Temperature Range	-30°C to +60°C
Maximum Humidity	95% RH - Non Condensing (at 40°C)
Colour / Case Material	Ivory White / ABS
Lens Colour	Transparent Red
Weight (g)	88
Base Fixing Centres (mm)	48 ~ 74

Ordering Codes	MBF-6EV	MBA-6
Operating Voltage	20.4 - 27.6 Vdc	
Rated Current (?20%)	11mA	12mA
Operating Temperature Range	-10°C to +50°C	
Maximum Humidity	45-85% RH - Non Condensing (at 40°C)	
Gong Colour	Red	
Gong Material	Aluminium	
Maximum Sound Output dB(A) at 1 metre	96.5	100.5
Ingress Protection Rating	IP23C	IP33C
Weight (g) (inc back box)	410	780

Ordering Code	BANSHEE
Operating Voltage	9 - 30Vdc
Operating Current	12 mA (±20%)
Operating Temperature Range	-40°C to + 70°C
Maximum Sound Output	112dB(A) at 1 metre (at 24Vdc) (dependant on tone selected)
Maximum Humidity	75% RH - Non Condensing (at 40°C)
IP Rating	IP45 (with internal back box - supplied as standard) IP66 (with external back box - sold separately)

**HOCHIKI EUROPE (UK) LIMITED**  
 Grosvenor Road, Gillingham Business Park,  
 Gillingham, Kent, England ME8 0SA  
 Telephone: +44 (0)1634 260133  
 Facsimile: +44 (0)1634 260132  
 e-mail (UK): sales@hochikieurope.com  
 e-mail (Non UK): export@hochikieurope.com  
 www.hochikieurope.com



Hochiki Europe (UK) Ltd. reserves the right to alter the specification of its products from time to time without notice. Although every effort has been made to ensure the accuracy of the information contained in this document it is not warranted or represented by Hochiki Europe (UK) Ltd. to be a complete and up-to-date description.

PART No. 9-5-0-275/ISS3/JUL07