

# CDX

## CONVENTIONAL CALL POINTS



CCP-E

Both models are based upon the industry standard KAC world series housing:

Model CCP-E can support either a 'Frangible Glass' element or a 'Non Frangible Plastic' element.



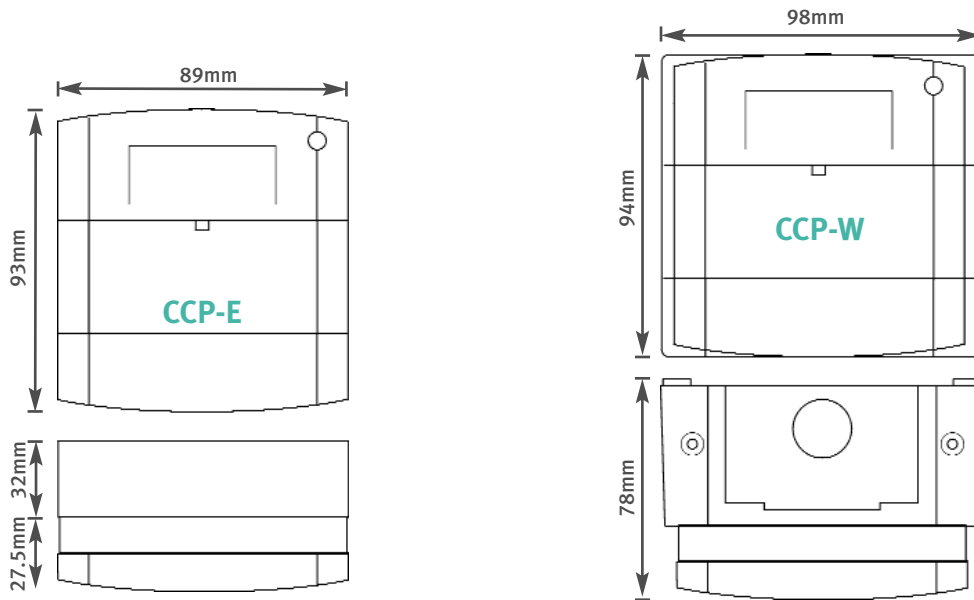
CCP-W

Model CCP-W is a conventional call point featuring a Waterproof Housing to IP67, allowing installation in the most severe environmental conditions without water ingress.

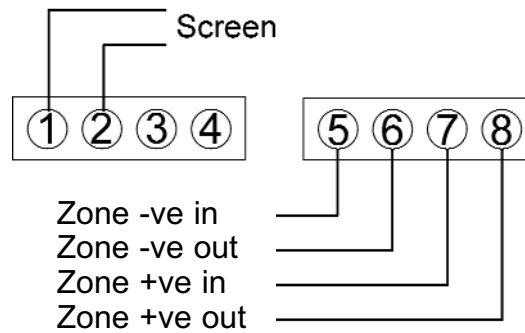


- ▶ Comply with BS5839 Part 2
- ▶ CCP-W IP67 rated
- ▶ Push-fit terminals can accommodate up to a 2.5mm<sup>2</sup> solid conductor
- ▶ Other colours available on request

## DIMENSIONS



## WIRING



## CCP-E / CCP-W

## SPECIFICATIONS

Ordering Code	CCP-E
Nominal operating resistance	470Ω
Ingress Protection Rating	IP24
Operating Temperature Range	-10°C to + 50°C
Storage Temperature Range	-30°C to + 70°C
Maximum Humidity	95%RH - Non condensing (at 40°C)
Colour / Case Material	Red / ABS
Weight (g)	(Flush Mount) 110 (Surface Mount with Back Box) 161
Accessories	Frangible Element KAC/G/HE Non-Frangible Element KAC/EWS/HE

Ordering Code	CCP-W
Nominal operating resistance	470Ω
Ingress Protection Rating	IP67
Operating Temperature Range	-10°C to + 50°C
Storage Temperature Range	-30°C to + 70°C
Maximum Humidity	95%RH - Non condensing (at 40°C)
Colour / Case Material	Red / ABS
Weight (g)	234
Accessories	Frangible Element KAC/G/HE Non-Frangible Element KAC/EWS/HE