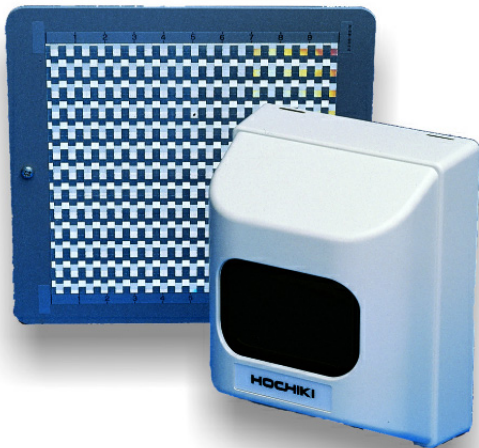


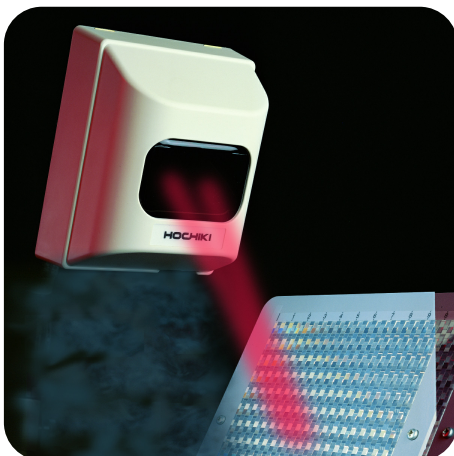
## BEAM SMOKE DETECTORS



SPC-ET



SRA-ET



Both models utilise a near infra-red beam to detect the presence of smoke which is pulsed to reduce the overall current consumption and improve the noise rejection characteristics.

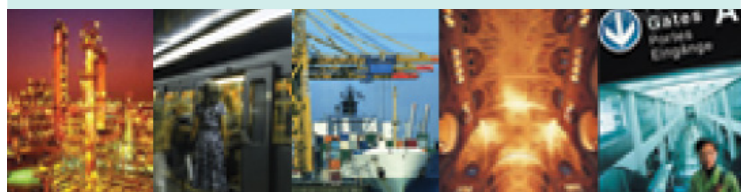
Model SPC-ET is a two wire beam smoke detector that consists of an emitter and receiver that cover a distance of 5 - 100m providing a maximum coverage of 1500m<sup>2</sup>. When used on a conventional system the emitter and receiver can be powered directly from the zone or if required the emitter also has an option to be powered from a separate 24Vd.c. supply.

The SPC-ET can also be interfaced to Hochiki's ESP system, the receiver can be connected to a CHQ-SZM Single Zone Module or a CHQ-DZM Dual Zone Module, and the emitter can then be powered directly from the loop or via a separate 24Vd.c. supply.

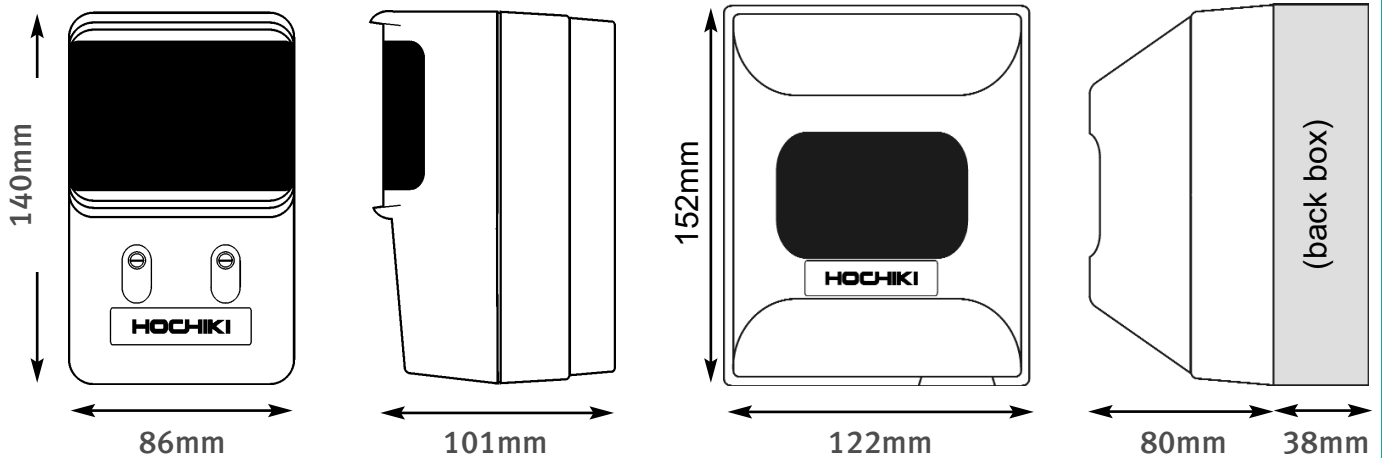
- ▶ 5 - 100m range
- ▶ Powered directly from the zone
- ▶ Full line continuity options
- ▶ Latching or Non-Latching fault option
- ▶ Automatic contamination compensation
- ▶ Automatic signal strength adjustment
- ▶ Approved by LPCB

Model SRA-ET is a reflective beam detector comprising of an emitter/receiver unit and reflector plate that works over a distance of 5 - 30m, providing a maximum coverage of 450m<sup>2</sup>.

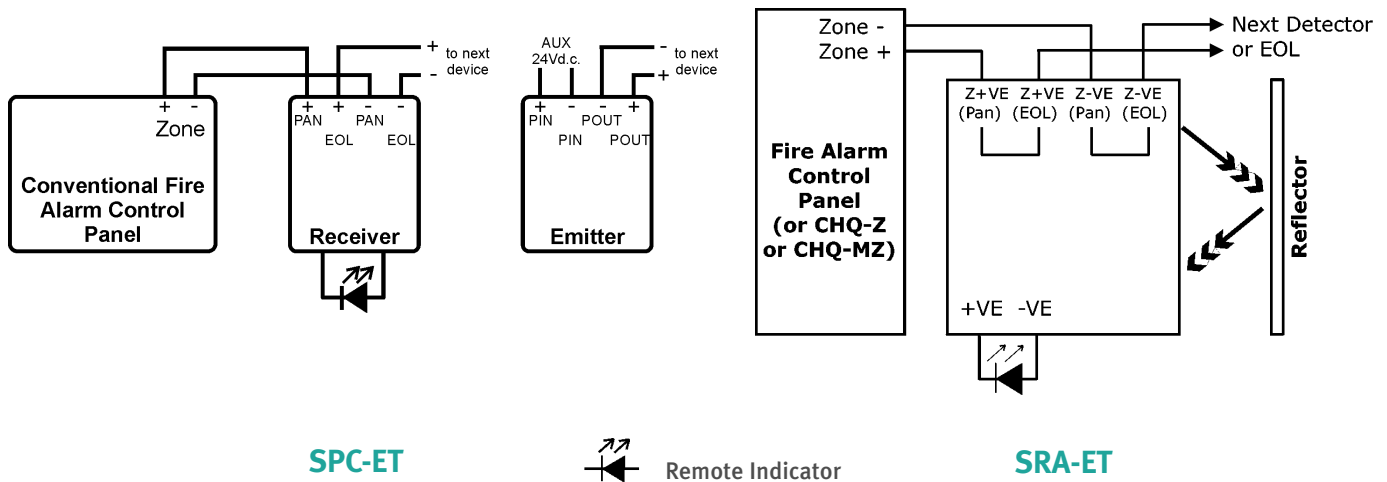
- ▶ 5 - 30m range
- ▶ Small flat reflector
- ▶ Powered directly from the zone
- ▶ Full line continuity options
- ▶ Automatic compensation
- ▶ Approved by LPCB & VdS



## DIMENSIONS



## WIRING



## SPECIFICATIONS

Ordering Code	SPC-ET*
Operating Voltage	15 - 33Vdc
Quiescent Current (typ)	240µA
Maximum Current In Alarm	50mA
Operation Range (m)	5 - 100 (between emitter & receiver)
Sensitivity Range	25%, 50% and 60% obscuration (selectable)
Operating Temperature Range	-10°C to +50°C
Storage Temperature Range	-30°C to +70°C
Maximum Humidity	95%RH - Non condensing (at 40°C)
Colour / Case Material	Ivory White / ACS
Weight (g)	(Receiver) 685 (Emitter) 600
Line Continuity Options (Int. Kit)	Schottky/Zener
Approval	LPCB (EN54:12)

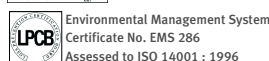
\*(Supplied with either Interface Kit or Fixing Brackets)

Ordering Codes	SRA-ET
	SRA B/BOX (Back Box)
Operating Voltage	15 - 30Vdc
Quiescent Current (typ)	350µA
Maximum Current In Alarm	50mA
Operation Range (m)	5 - 30
Sensitivity (fixed)	30%
Operating Temperature Range	-10°C to +50°C
Storage Temperature Range	-30°C to +70°C
Maximum Humidity	95%RH - Non condensing (at 40°C)
Colour / Case Material	Ivory White / ABS
Weight (g)	(SRA-ET) 700 (Reflector) 50
Line Continuity Options	Schottky/Zener
Approvals	LPCB BS5839 Part 5 PrEN54 Part 12
	VdS PrEN54 Part 12 (G200080)

**HOCHIKI EUROPE (UK) LIMITED**  
 Grosvenor Road, Gillingham Business Park,  
 Gillingham, Kent, England ME8 0SA  
 Telephone: +44 (0)1634 260133  
 Facsimile: +44 (0)1634 260132  
 e-mail (UK): sales@hochikieurope.com  
 e-mail (Non UK): export@hochikieurope.com  
 www.hochikieurope.com



Quality System  
 Certificate No. 164  
 Assessed to ISO9001



Environmental Management System  
 Certificate No. EMS 286  
 Assessed to ISO 14001 : 1996

Hochiki Europe (UK) Ltd. reserves the right to alter the specification of its products from time to time without notice. Although every effort has been made to ensure the accuracy of the information contained in this document it is not warranted or represented by Hochiki Europe (UK) Ltd. to be a complete and up-to-date description.

**PART No. 9-5-0-245/ISS2/MAY07**