

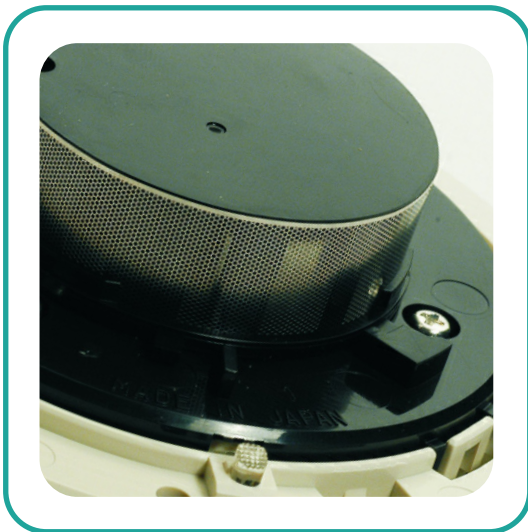
PHOTOELECTRIC SMOKE SENSOR



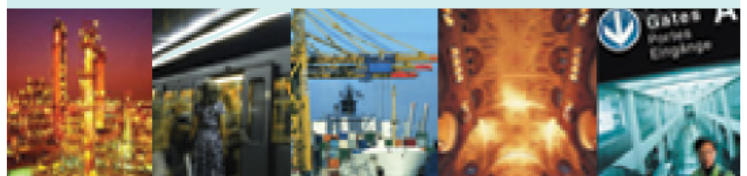
Model ALG-E is a Photoelectric Smoke Sensor, which is fully compatible with Hochiki's ESP Analogue Addressable Protocol. The ALG-E is also available in black, which makes it ideal for nightclubs and cinemas where attention to aesthetics is required:

The ALG-E incorporates Hochiki's unique High Performance Technology removing the need to use Ionisation Smoke Sensors in the majority of applications and this also allows the sensor threshold level to be increased, thereby improving the signal to noise ratio and reducing susceptibility to false alarms.

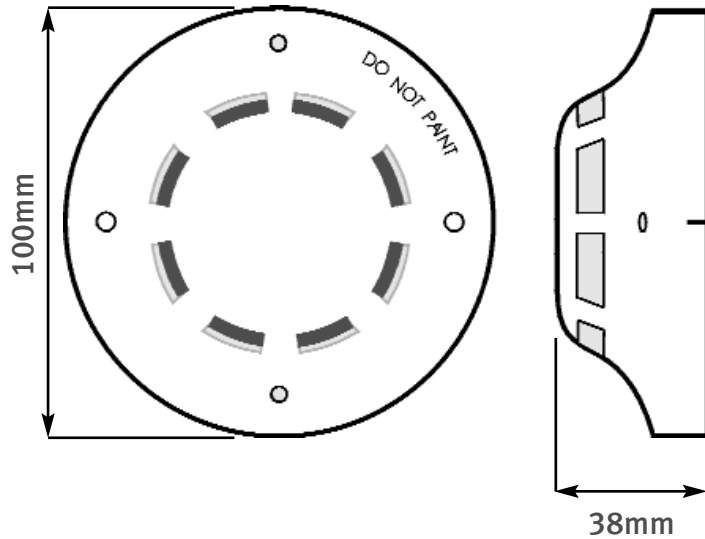
The ALG-E smoke chamber is easily removed or replaced for cleaning and utilises a unique baffle design which allows smoke to enter the chamber whilst keeping out ambient light.



- ▶ Removable, High Performance chamber
- ▶ Twin fire LED's allow 360° viewing
- ▶ Locking mechanism (sensor to base)
- ▶ Variable sensitivity
- ▶ Electronically addressed
- ▶ Non-pulsing version available (ALG-E(NP))
- ▶ Approved by LPCB & VdS

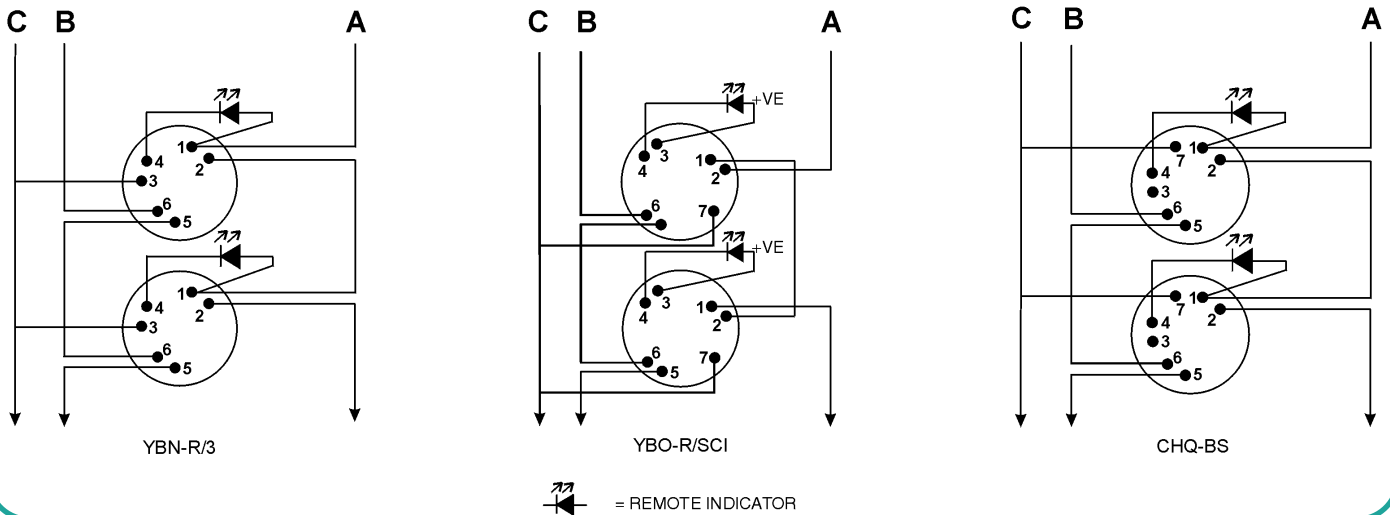


DIMENSIONS



WIRING

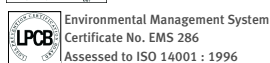
KEY: A Loop +ve, B Loop -ve, C Cable Screen



SPECIFICATION

Ordering Codes	Sensor	ALG-E / ALG-E(NP) / ALG-E(BLACK)	
	Replacement Chamber	SLR/ALG REPLACEMENT CHAMBER	
Operating Voltage		17 - 41Vd.c.	
Low Power Mode (typ)		122µA	
Quiescent Current (typ)		390µA	
Alarm Current (controlled by CIE)		19mA	
Transmission Method		Digital Communications Using ESP	
Operating Temperature Range		-10°C to + 50°C	
Storage Temperature Range		-30°C to + 60°C	
Maximum Humidity		95%RH - Non Condensing (at 40°C)	
Ingress Protection Rating		IP42	
Colour / Case Material		Ivory White / ABS	
Weight (g)		98	
Compatible Bases		YBN-R/3, YBO-R/SCI, YBO-BS, YBO-BSB	
Base Heights (mm)		8	13
Base Fixing Centres (mm)		48 ~ 74	
Approvals	ALG-E	LPCB	EN54: Part 7
	ALG-E(NP)	VdS	EN54: Part 7 (G200118)

HOCHIKI EUROPE (UK) LIMITED
 Grosvenor Road, Gillingham Business Park,
 Gillingham, Kent, England ME8 0SA
 Telephone: +44 (0)1634 260133
 Facsimile: +44 (0)1634 260132
 e-mail (UK): sales@hochikieurope.com
 e-mail (Non UK): export@hochikieurope.com
 www.hochikieurope.com



Hochiki Europe (UK) Ltd. reserves the right to alter the specification of its products from time to time without notice. Although every effort has been made to ensure the accuracy of the information contained in this document it is not warranted or represented by Hochiki Europe (UK) Ltd. to be a complete and up-to-date description.

PART No. 9-5-0-251/ISS2/AUG07