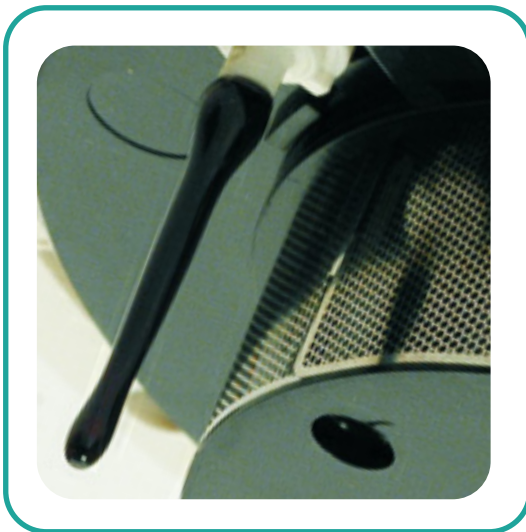


MULTI SENSOR



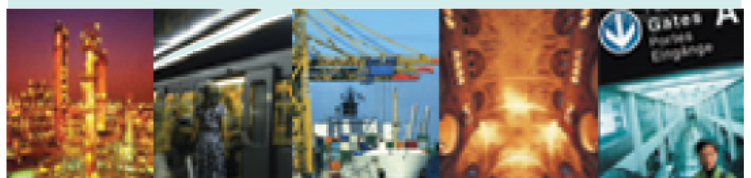
Model ACA-E is a Multi-Sensor, which is fully compatible with Hochiki's ESP Analogue Addressable Protocol, and incorporates a thermal element and a High Performance photoelectric smoke chamber:

The ACA-E has three modes, which are controlled from the Control Panel, allowing either the optical element or thermal element or both elements to be active in making the fire decision. The sensor polling LED's can be controlled via the Control Panel (pulsing/non-pulsing).

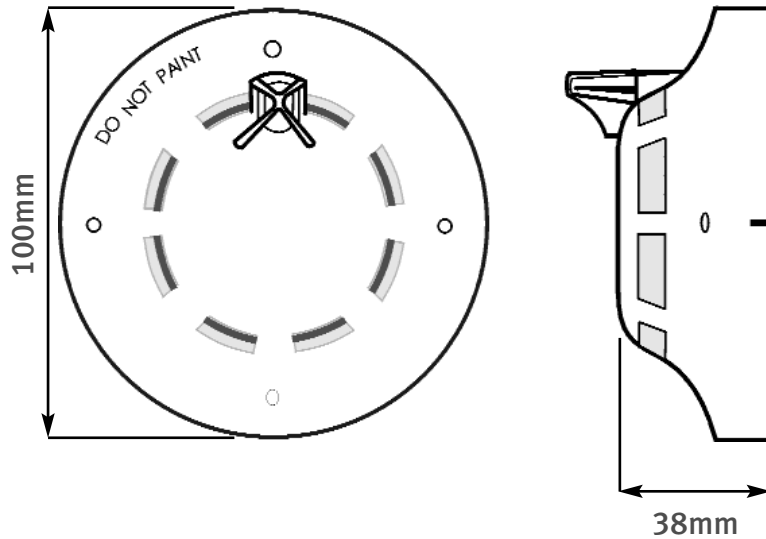
The ACA-E smoke chamber can easily be removed or replaced for cleaning.



- ▶ User selectable modes
- ▶ Incorporates Optical & Heat elements
- ▶ Removable, High Performance Chamber
- ▶ Twin fire LED's allow 360° viewing
- ▶ Pulsing/non-pulsing controlled from panel
- ▶ Locking mechanism (sensor to base)
- ▶ Variable sensitivity
- ▶ Electronically Addressed
- ▶ Approved by LPCB & VdS

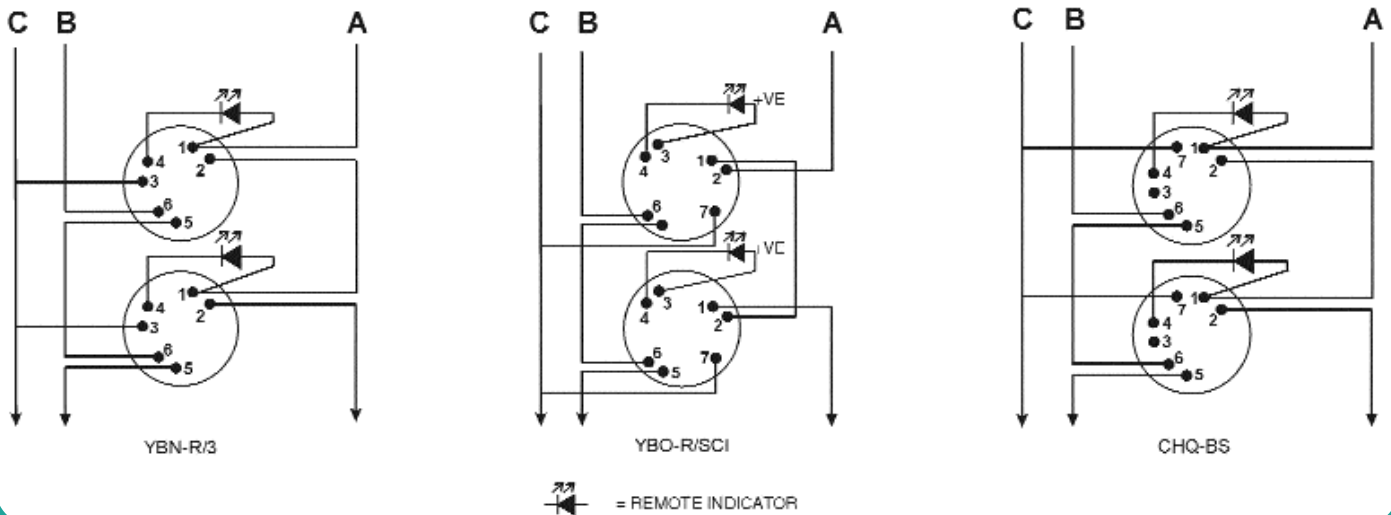


DIMENSIONS



WIRING

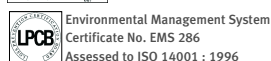
KEY: A Loop +ve, B Loop -ve, C Cable Screen



SPECIFICATION

Ordering Codes	Sensor	ACA-E
	Replacement Chamber	SLR/ALG REPLACEMENT CHAMBER
Operating Voltage		17 - 41Vd.c.
Low Power Mode (typ)		120µA
Quiescent Current (typ)		450µA
Alarm Current (controlled by CIE)		19mA
Transmission Method		Digital Communications Using ESP
Operating Temperature Range		-10°C to + 50°C
Storage Temperature Range		-30°C to + 60°C
Maximum Humidity		95%RH - Non Condensing (at 40°C)
Ingress Protection Rating		IP42
Colour / Case Material		Ivory White / ABS
Weight (g)		100
Compatible Bases		YBN-R/3, YBO-R/SCI, YBO-BS, YBO-BSB
Base Heights (mm)		8 13 36
Base Fixing Centres (mm)		48 ~ 74
Approvals		LPCB EN54: Parts 5 & 7, CEA 4021: 1999
		VdS EN54: Parts 5 & 7, CEA 4021: 1999 (G200120)

HOCHIKI EUROPE (UK) LIMITED
 Grosvenor Road, Gillingham Business Park,
 Gillingham, Kent, England ME8 0SA
 Telephone: +44 (0)1634 260133
 Facsimile: +44 (0)1634 260132
 e-mail (UK): sales@hochikieurope.com
 e-mail (Non UK): export@hochikieurope.com
 www.hochikieurope.com



Hochiki Europe (UK) Ltd. reserves the right to alter the specification of its products from time to time without notice. Although every effort has been made to ensure the accuracy of the information contained in this document it is not warranted or represented by Hochiki Europe (UK) Ltd. to be a complete and up-to-date description.

PART No. 9-5-0-249/ISS2/AUG07