

Conventional Fire Alarm Control Panel Repeaters

Ancillary PCB Product Overview

- The Sigma Ancillary Board is compatible with all Sigma CP and CP-R panels which have operating software version V2.0 or above.
- The board provides common fire, common fault, coincidence and zonal fire, volt free contacts allowing control of sub-systems, graphical mimics and plant, remotely from the main panel over a two wire data bus.
- Mains powered Ancillary boards require only a two core data cable from the main control panel. 24V DC versions require an additional two cores for power either from the main panel or from another 24V DC source.
- A mixture of Ancillary boards, Sounder boards or Repeaters up to a maximum of 7 of each type can be connected to a control panel and each is allocated an address from 1 to 7 using a binary coded DIL switch. The total length of the data cable from the main panel to the last repeater must not exceed 1200 metres.

Ancillary PCB Features

- Two wire serial connection
- Up to 7 boards per system
- 230V AC or 24V DC powered versions
- Open collector zonal fault outputs
- Volt free fire, coincidence and common fault contact outputs



Part No. K580

Sigma CP-R Product Overview

- The Sigma CP-R Repeater is compatible with all Sigma CP control panels which have operating software version V2.0 or above.
- Repeaters are available with 2, 4 or 8 zones and in mains powered (K versions) or 24V powered (E versions).
- Mains powered repeaters require only a two core data cable from the main control panel. 24V DC versions require an additional two cores for power either from the main panel or from another 24V DC source.
- A mixture of Repeaters, Ancillary boards or Sounder Boards up to a maximum of 7 of each type can be connected to a control panel and each is allocated an address from 1 to 7 using a binary coded DIL switch. The total length of the data cable from the main panel to the last repeater must not exceed 1200 metres.

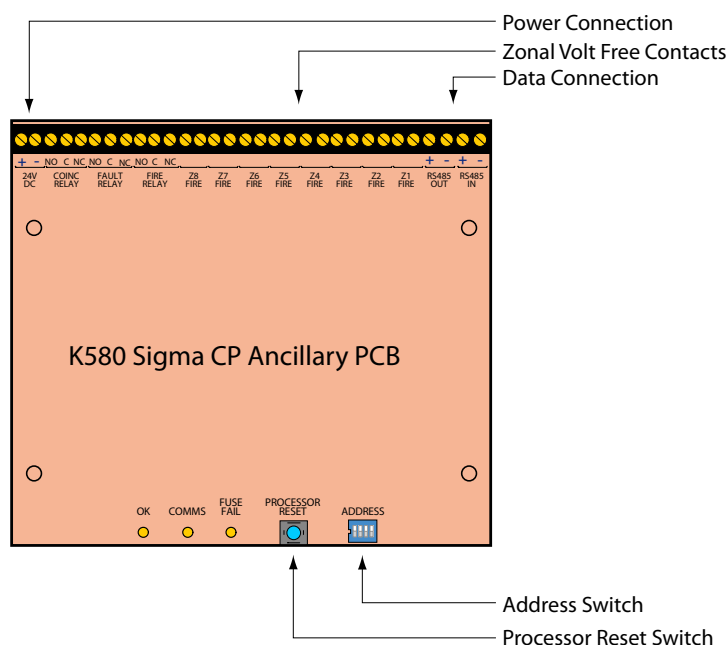
Sigma CP-R Features

- Two wire serial connection
- Up to 7 panels per system
- 230V AC or 24V DC powered versions
- Full control over main panel
- Volt free fire and fault contact outputs

Note: Also available is the Sigma Sounder Board (K461) which is compatible with all Sigma CP and CP-R panels which have operating software version V3.0 or above. See DS48 (page 77) for more details.



Model No. E01080M2



Specifications

Equipment

Product Code	Description	Supply Voltage	Standby Current	Alarm Current	Size (mm)
E01020L2	2 zone Sigma CP-R repeater panel	24V DC	0.075 Amps	0.094 Amps	385 x 310 x 60
E01040L2	4 zone Sigma CP-R repeater panel	24V DC	0.075 Amps	0.098 Amps	385 x 310 x 60
E01080L2	8 zone Sigma CP-R repeater panel	24V DC	0.075 Amps	0.11 Amps	385 x 310 x 60
K01020M2	2 zone Sigma CP-R repeater panel with PSU	230V AC	0.075 Amps	0.094 Amps	385 x 310 x 90
K01040M2	4 zone Sigma CP-R repeater panel with PSU	230V AC	0.075 Amps	0.098 Amps	385 x 310 x 90
K01080M2	8 zone Sigma CP-R repeater panel with PSU	230V AC	0.075 Amps	0.11 Amps	385 x 310 x 90
K580	Stand alone ancillary board	24V DC	0.020 Amps	0.2 Amps	
K02000M2	Boxed ancillary board	24V DC	0.020 Amps	0.2 Amps	385 x 310 x 90
K02750M2	Boxed ancillary board with 0.75A PSU	230V AC	0.020 Amps	0.2 Amps	385 x 310 x 90
K18002	Tamper resistant Vision Window *	N/A	N/A	N/A	

* Vision Window can be easily retrofitted to any Sigma CP-R panel

Sigma CP-R Technical

Construction	- 1.2mm mild steel
Finish	- Epoxy powder coated
Colour - lid & box	- BS 00 A 05 grey - fine texture
Colour - Controls plate & labels	- RAL 7047 light grey - satin
Supply voltage (K models)	- 230V AC (+10%/-15%)
Supply voltage (E models)	- 20-30V DC
Mains supply fuse	- 1.6A 250V
Power supply DC rating	- 24V 1 Amps
Maximum battery size	- 7Ah 12V (2 per panel)
Fault contact rating	- 30V DC 1 Amp
Fire contact rating	- 30V DC 1 Amp
Cable capacity	- 2.5mm ² per terminal
Operating temperature	- -5°C to +50°C
Operating humidity	- <95% (non condensing)

Ancillary PCB Technical

Size (PCB only)	- 155mm(W) x 136mm(H)
Construction (boxed)	- 1.2mm mild steel
Finish	- Epoxy powder coated
Colour - lid & box	- BS 00 A 05 grey - fine texture
Colour - controls plate & labels	- RAL 7047 light grey - satin
Supply voltage (K02750M2)	- 230V AC (+10%/-15%)
Supply voltage (K02000M2)	- 20-30V DC
Mains supply fuse	- 1.6A 250V
Power supply DC rating	- 24V 750mA
Maximum battery size	- 2.6Ah 12V (2 per panel)
Standby current	- 20mA
Full alarm current	- 190mA
Fault contact rating	- 30V DC 1 Amp
Fire contact rating	- 30V DC 1 Amp
Coincidence contact rating	- 30V DC 1 Amp
Zonal contact rating	- 30V DC 1 Amp
Cable capacity	- 2.5mm ² per terminal
Operating temperature	- -5°C to +50°C
Operating humidity	- <95% (non condensing)